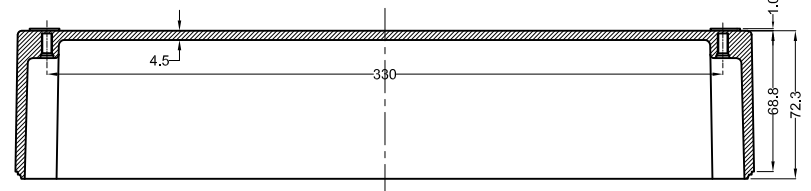
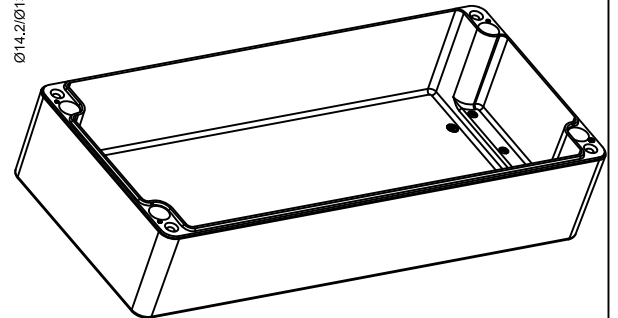
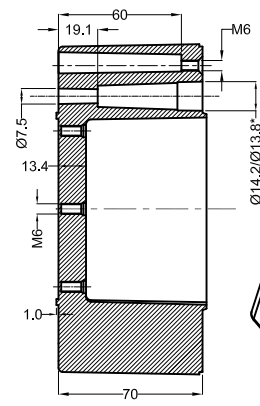
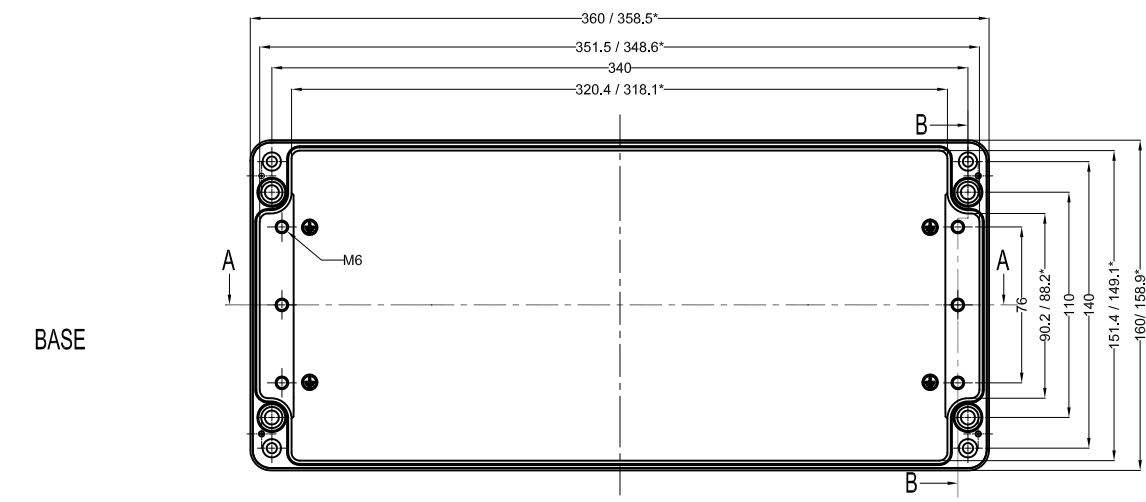
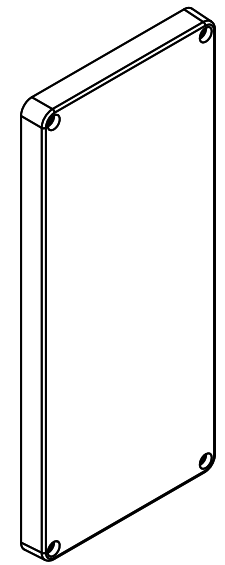
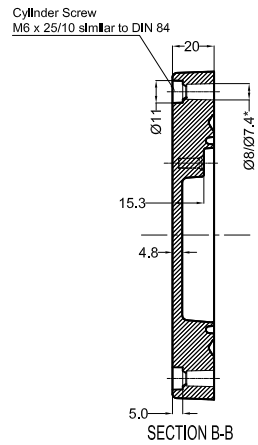
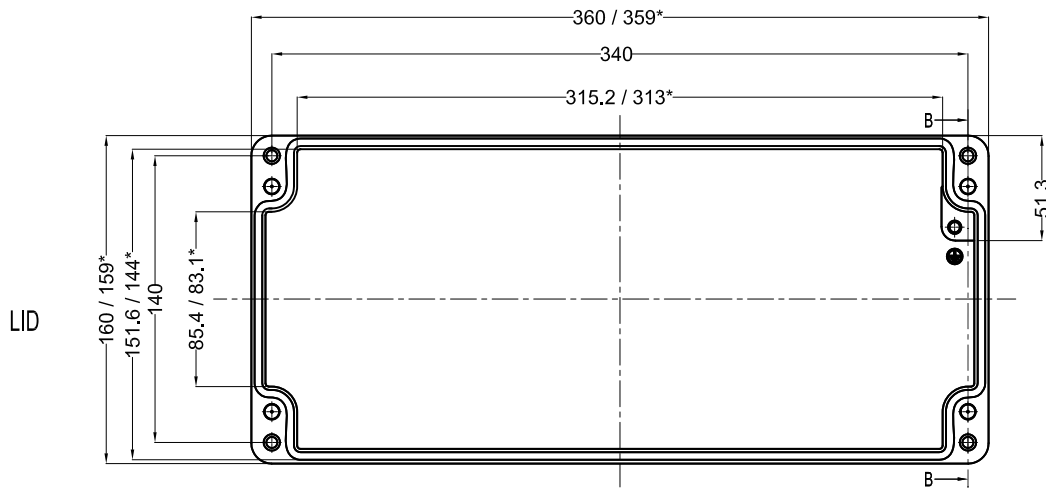


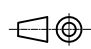
* = Conical form tapering downward.
 Untoleranced dimensions per GTA 13/5 - DIN 1688

| ACCESSORIES | | |
|-------------------------|------|--------------|
| PART NAME | QTY. | AVAILABILITY |
| MOUNTING PLATE | 1 | Y |
| EXTERNAL HINGE | 2 | Y |
| INTERNAL HINGE | 2 | Y |
| MOUNTING BRACKETS | 4 | Y |
| NEOPRENE/SILICON GASKET | 1 | Y |
| DIN RAIL TS15 | - | N |
| DIN RAIL TS35 | 1 | Y |



SECTION B-B

SECTION A-A

| | | | | | |
|---|---|-----------------|--|---------------------------------|--------------------------|
| QUANTITY 1 | MATERIAL :- ALs112 (Din230) | MACH.NAME - | DATE 20/06/12 | SIGN MANOJ | NAME DRAWN |
|  TOLERANCE ±0.2 DIMENSIONS ±0.2 HOLES ±1.0° ANGLES | WEIGHT: - | FINISH: NATURAL | TITLE :- JUNCTION BOX 360 x 160 x 90 | DATE 20/06/12 | NAME PAVAN CHECKED |
| | ALL DIMENSION ARE IN MM RAY | | Raychem RPG (P) Limited Ceat Mahal Annexe, Dr. Annie Besant Road , Worli , Mumbai 400030 Web : www.raychemrpg.com | SCALE | PARTNO. 0 |
| | | | REV 0 | DRG. NO. AJB-36016090 | |