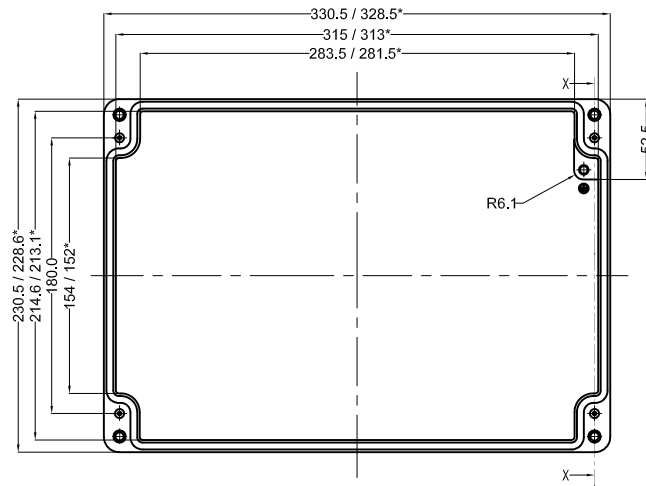
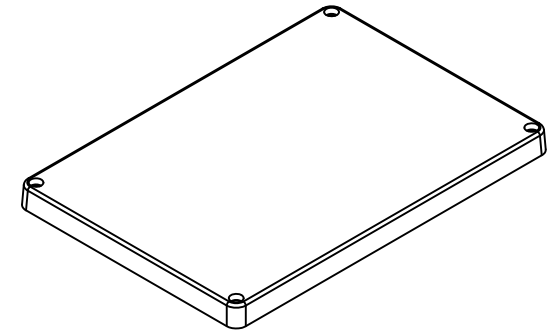
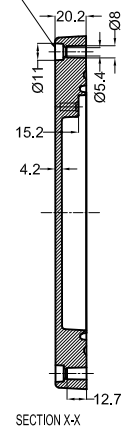


* = Conical form tapering downward.
 Untoleranced dimensions per GTA 14/5 - DIN 1688

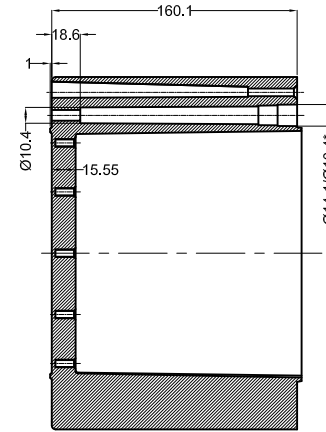
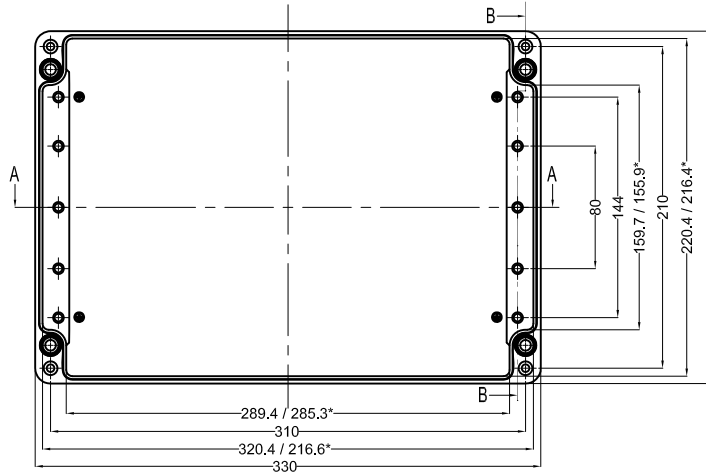
LID



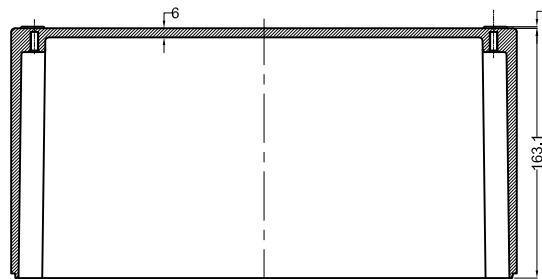
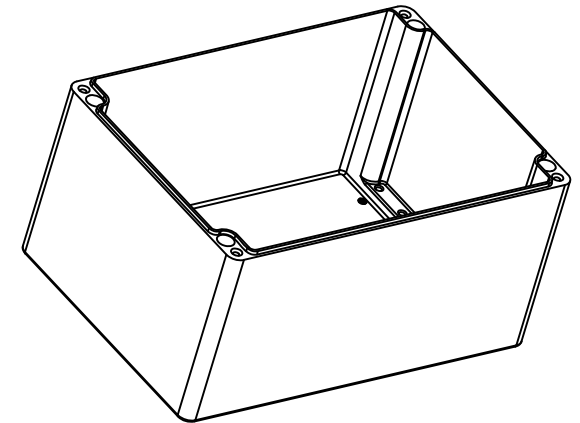
Cylinder Screw
 M6 x 25/10 similar to DIN 84



BASE



SECTION B-B



SECTION A-A

QUANTITY 1	MATERIAL :- ALs112 (Din230)	MACH.NAME -	DATE 13/06/12	SIGN MANOJ	NAME DRAWN
			13/06/12		PAVAN CHECKED
		TITLE :- JUNCTION BOX 330 x 230 x 180			S.D. APPROVED
TOLERANCE ±0.2	WEIGHT: -	FINISH: NATURAL	SCALE	PARTNO.	0
±0.2 DIMENSIONS	ALL DIMENSION ARE IN MM		REV	DRG. NO.	
±1.0° ANGLES	-		0	AJB-330230180	

PROPERTY OF RaychemRPG (P) LTD.
 ALL RIGHTS RESERVED AND/OR PHOTOCOPYING THIS DOCUMENT
 TO A PERSON WITHOUT RaychemRPG (P)LTD. WRITTEN AUTHORIZATION IS PROHIBITED

Raychem RPG (P) Limited
 Ceat Mahal Annexe,
 Dr. Annie Besant Road,
 Worli, Mumbai 400030
 Web: www.raychemrpg.com