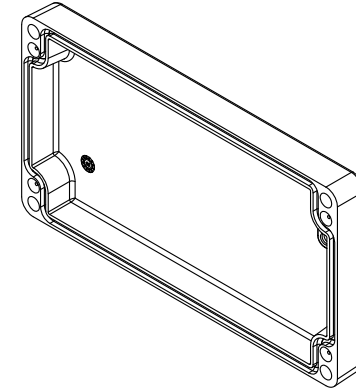
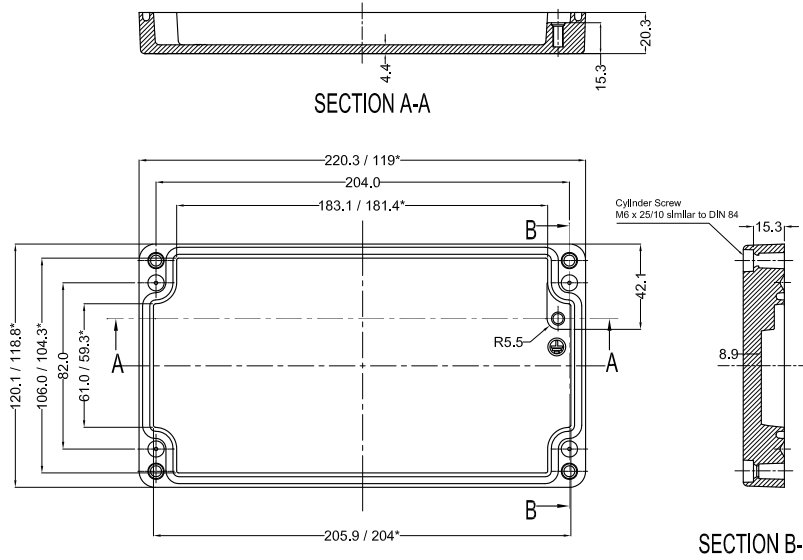
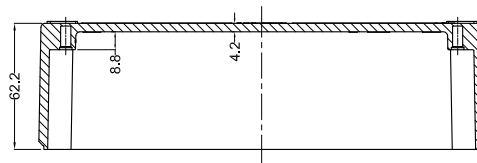
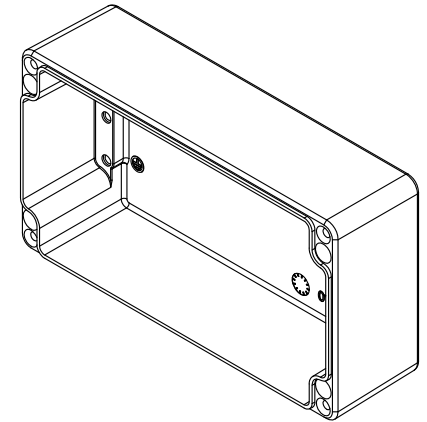
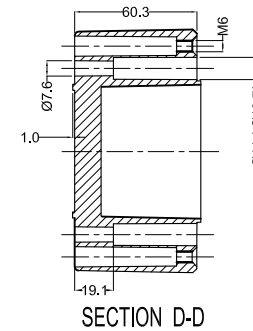
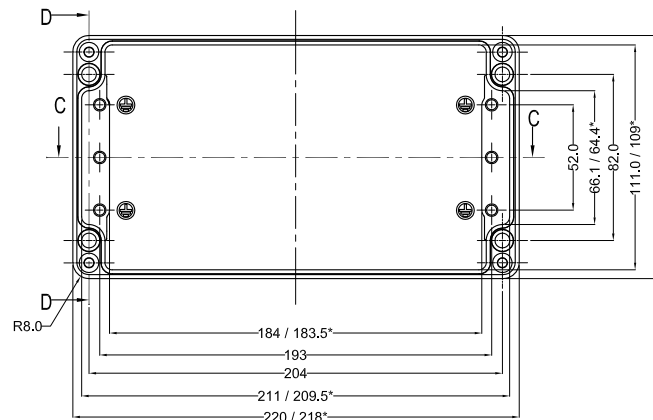


* = Conical form tapering downward.
 Untoleranced dimensions per GTA 13/5 - DIN 1688

LID



BASE



SECTION C-C

QUANTITY 1	MATERIAL :- ALs112 (Din230)	MACH.NAME -	DATE 30/04/12	SIGN MANOJ	NAME DRAWN
			30/04/12		PAVAN
		TITLE :- JUNCTION BOX 220 x 120 x 81			CHECKED
					S.D. APPROVED
TOLERANCE ±0.2	WEIGHT :- -	FINISH :- NATURAL	SCALE	PARTNO.	0
±0.2 DIMENSIONS	ALL DIMENSION ARE IN MM		REV	DRG. NO.	
±1.0° HOLES			0	AJB-22012081	
±1.0° ANGLES			Raychem RPG (P) Limited Ceat Mahal Annexe, Dr. Annie Besant Road, Worli, Mumbai 400030 Web : www.raychemrpg.com		