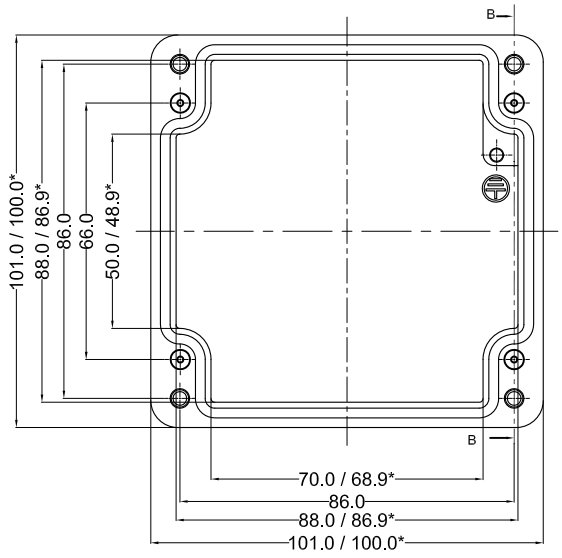
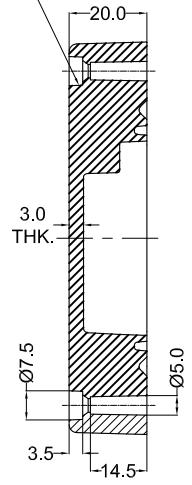


* = Conical form tapering downward.
 Untoleranced dimensions per GTA 13/5 DIN 1688

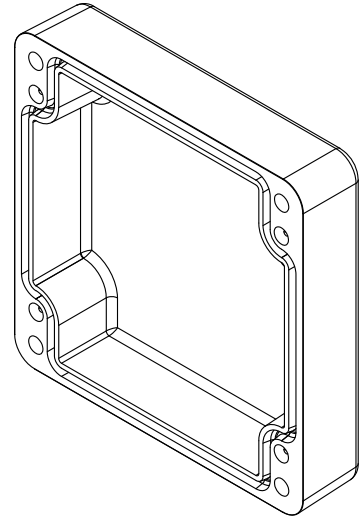
LID



Cylinder Screw
 M4 x 24/7 similar to DIN 84

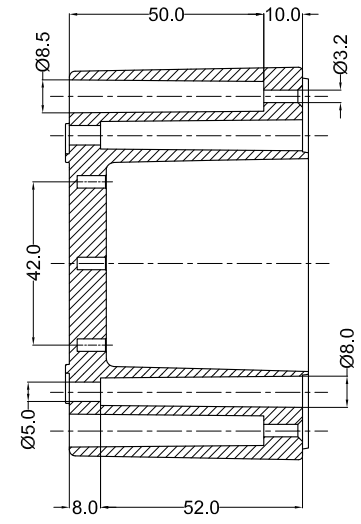
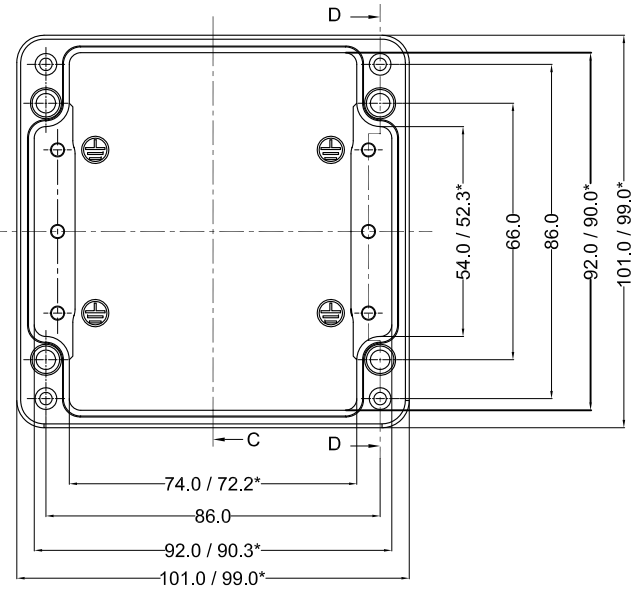


SECTION B-B

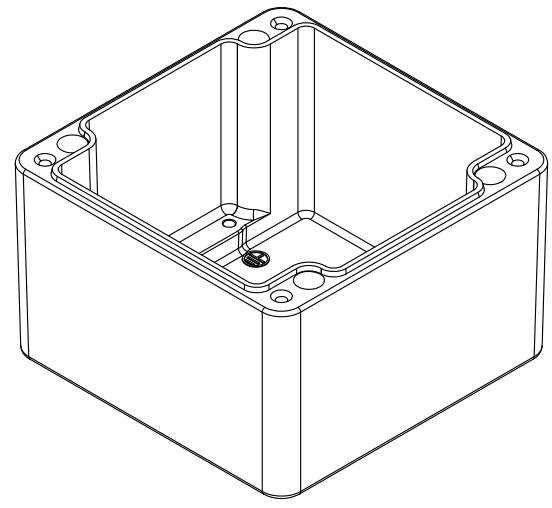


ACCESSORIES		
PART NAME	QTY.	AVILABILITY
MOUNTING PLATE	1	Y
EXTERNAL HINGE	2	Y
INTERNAL HINGE	-	N
MOUNTING BRACKETS	4	Y
NEOPRENE/SILICON GASKET	1	Y
DIN RAIL TS15	1	Y
DIN RAIL TS35	-	N

BASE



SECTION D-D



QUANTITY	MATERIAL :-	MACH.NAME	DATE	SIGN	NAME	
-	Alsi12	-			RRPL DESIGN	
	Din230		30/04/18		MANOJ DRAWN	
		TITLE :-	30/04/18		PAVAN CHECKED	
		JUNCTION BOX 100 x 100 x 80			S . D . APPROVED	
TOLERANCE	WEIGHT: FINISH:	Raychem RPG (P) Limited	SCALE	PARTNO.		
±0.2 DIMENSIONS	NATURAL	Ceat Mahal Annexe, Dr. Annie Besant Road , Worli , Mumbai 400030 Web : www.raychemrpg.com	REV	DRG. NO.		
±0.2 HOLES	ALL DIMENSION ARE IN MM		0	AJB-10010080		
±1.0° ANGLES	RJ 09					

PROPERTY OF RaychemRPG (P) LTD.
 ALL RIGHTS RESERVED AND/OR PHOTOCOPIYING THIS DOCUMENT
 TO A PERSON WITHOUT RaychemRPG (P) LTD. WRITTEN AUTHORIZATION IS PROHIBITED