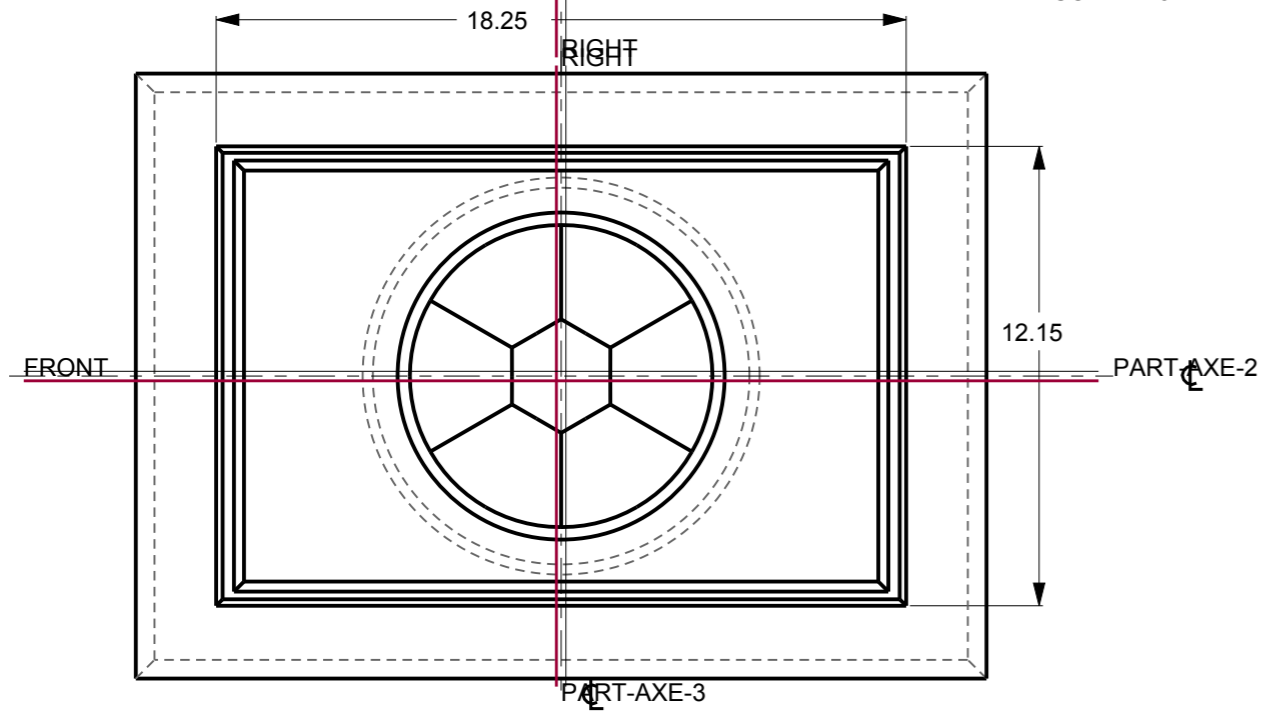
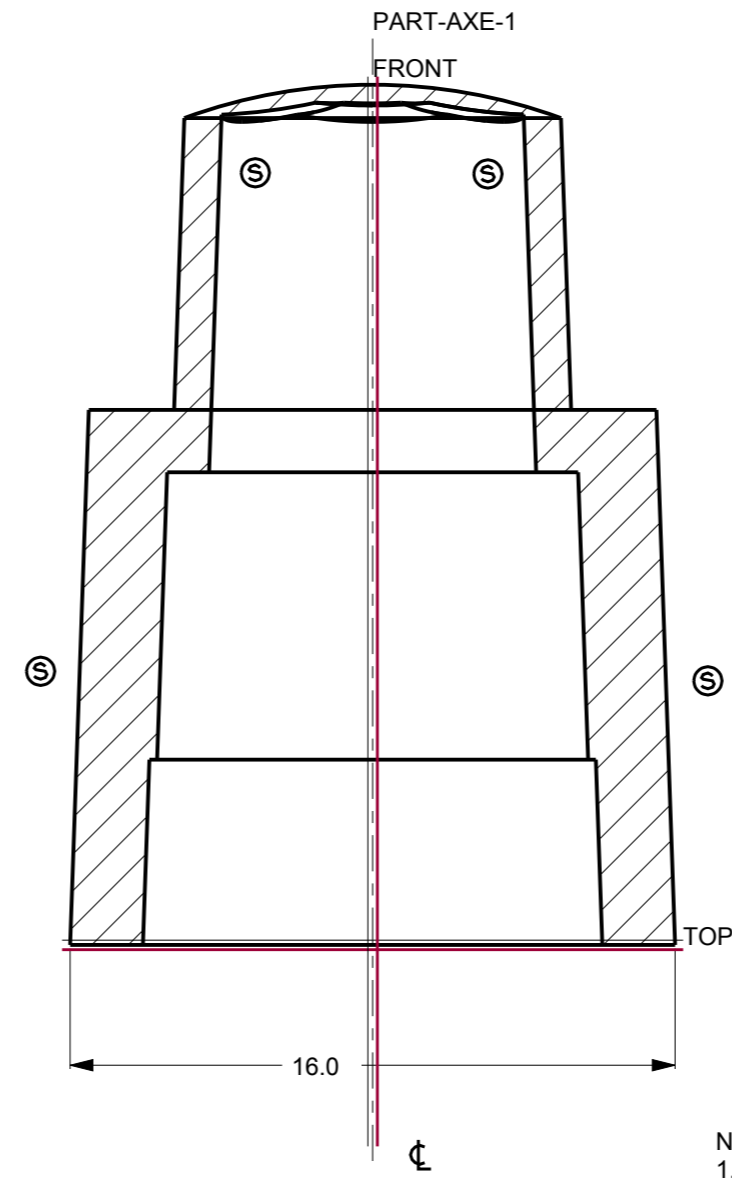
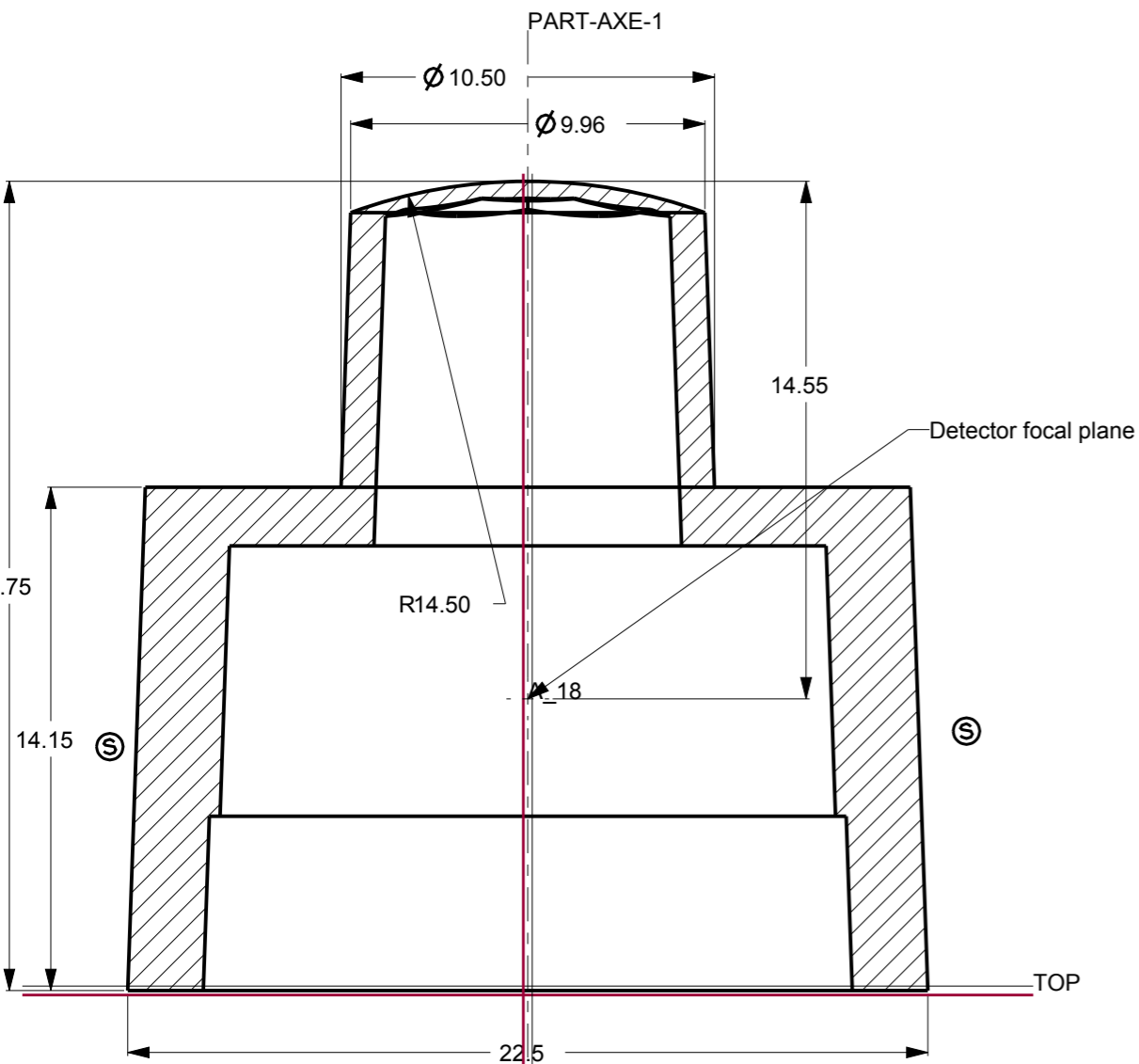


CUSTOMER DRAWING-SHEET 2 ONLY

REV.	DATE	D.C.N. NUMBER	DESCRIPTION	CHECKED BY DATE	APPROVED BY DATE
1	21/06/91		FIRST ISSUE		
2	25/6/91	06/91/080	diagramatical change only.		
3	09/10/91	09/91/090	various dims changed.	IKP 21/06/91	RJL 21/06/91
4	18/07/11	07/11/1303	Updated to pro-e format	FP 18/07/11	MB 18/07/11



- Notes
1. GEN DRAFT ANGLE 2°
 2. LARGE "SINK" MARKS WILL BE APPARENT IN AREAS MARKED (S)
 3. MATERIAL :HIGH DENSITY POLYETHENE DEFINED UNDER FORM GF-040-014

<p>103 BUCKINGHAM AVE, SLOUGH, BERKSHIRE, SL1 4PF, UK Tel: +44 1753 610800. Fax: +44 1753 611359 Email: design@carclo-optics.com www.carclo-optics.com</p>	Title		PF7 SHORT RANGE MULTILENS			
	Customer					
Drawn by		DG	Material	High Density Polyethene	Scale	AS SPEC.
THIRD ANGLE PROJECTION	GENERAL TOLERANCES UNLESS OTHERWISE STATED		DIMENSIONS IN mm		Format Size	A3
	LINEAR	ANGULAR			CAD File	38-40942-9483-PF7MULTILENS
	0 ± 0.25	0 ± 1°			Draw. N°	40942
	0.0 ± 0.1	0.0 ± 0.5°			Part N°	9483
	0.00 ± 0.05	0.00 ± 0.1°				
CARCLO technical plastics			CONFIDENTIAL: UNAUTHORISED COPYING, DISCUSSION & DISTRIBUTION PROHIBITED			