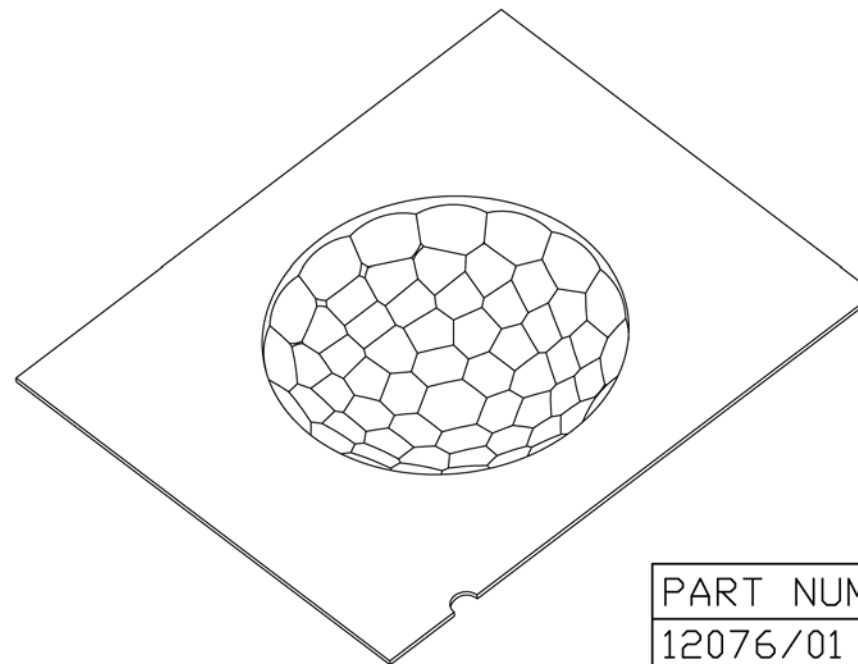
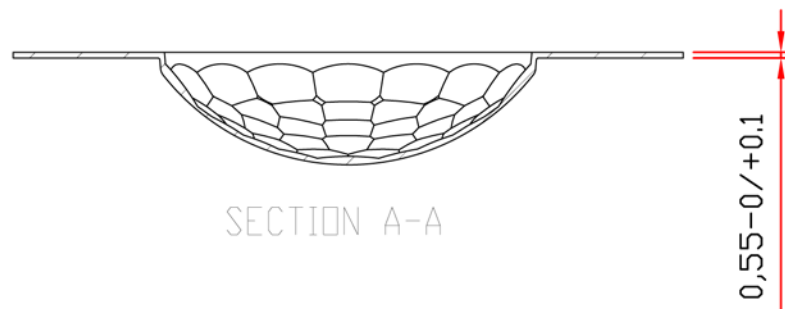
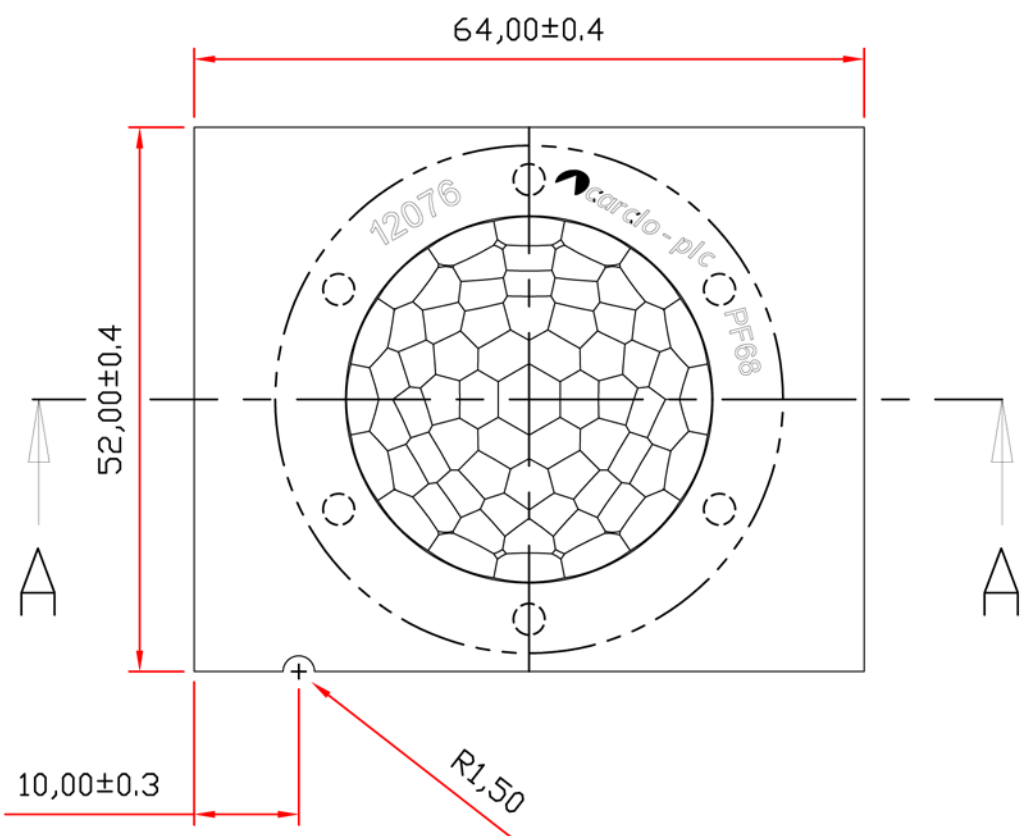


- NOTES:
1. GENERAL TOLERANCE ± 0.15 UNLESS OTHERWISE STATED
 2. MATERIAL: HIGH DENSITY POLYTETHENE
 3. THIS DRG. IS THE PROPERTY OF CARCLO-PLC AND MUST NOT BE COPIED OR DISCLOSED TO ANY THIRD PARTY
 4. SEE PF68 DATA SHEET FOR TRANSMISSION DATA
 5. **— · · —** DIAMETER OF CROPPED VARIANT



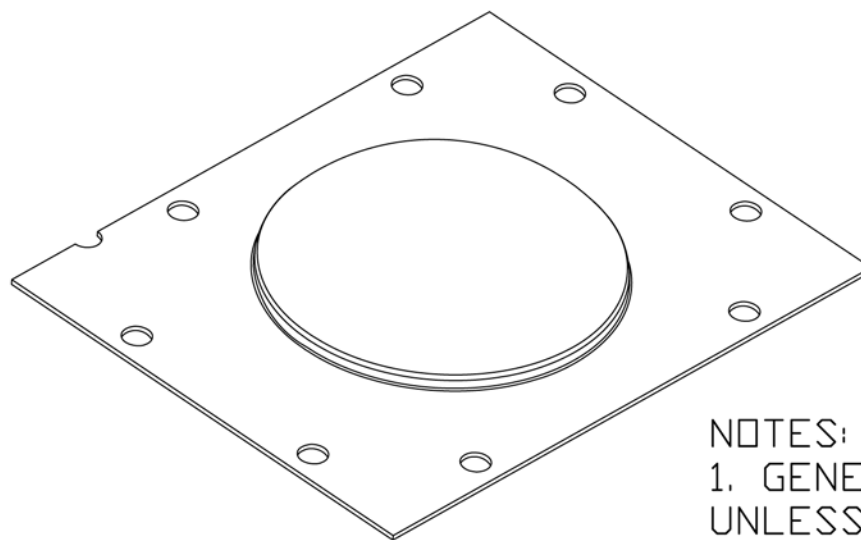
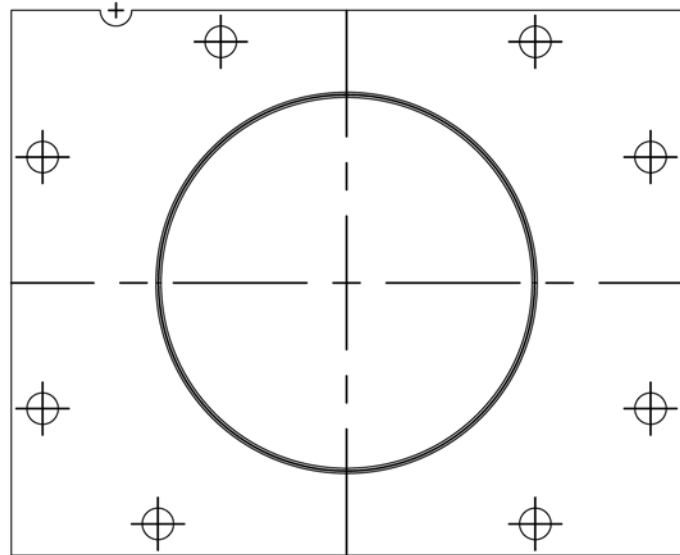
ISOMETRIC VIEW IN THE DIRECTION OF ARROW 'A'



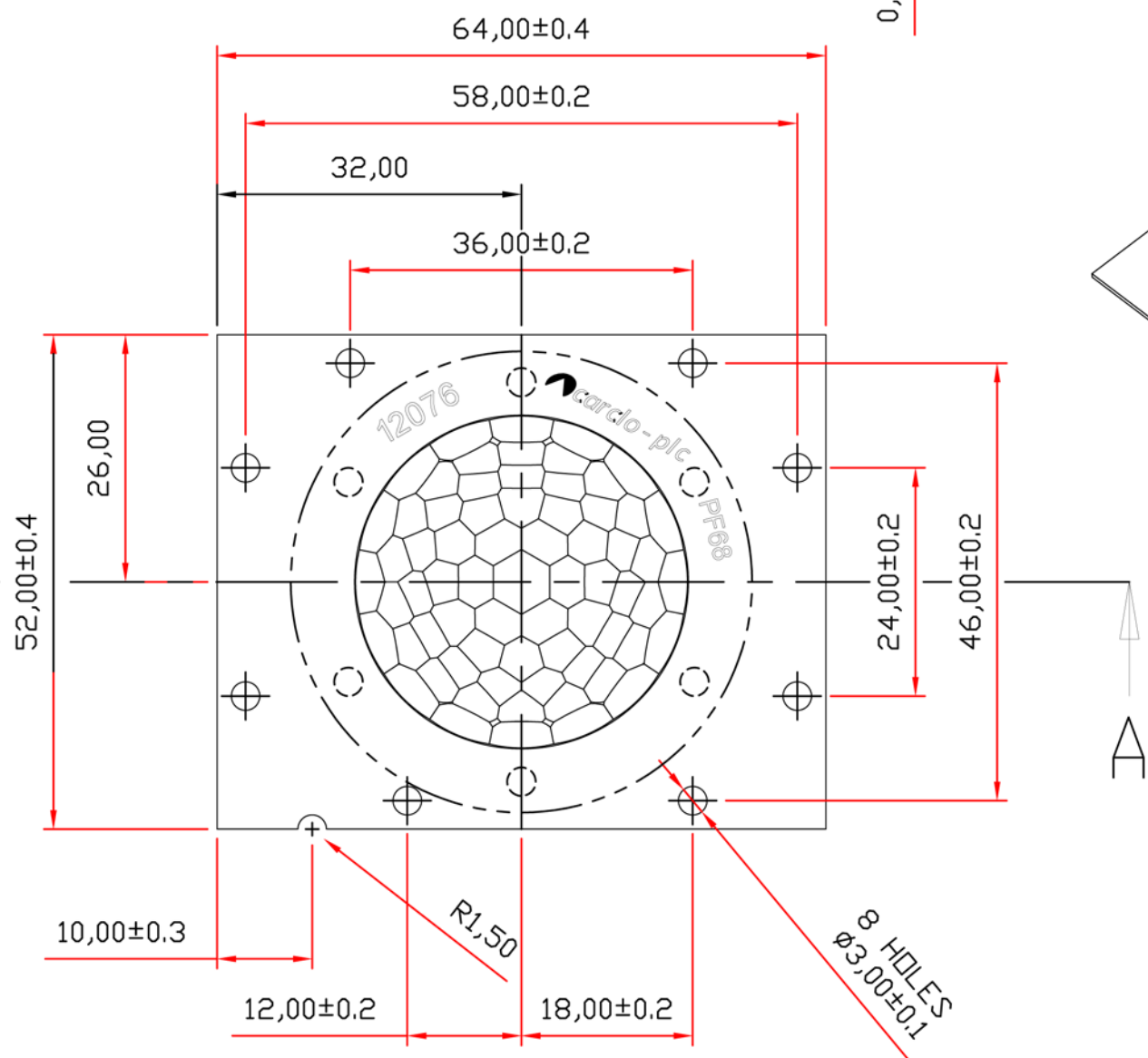
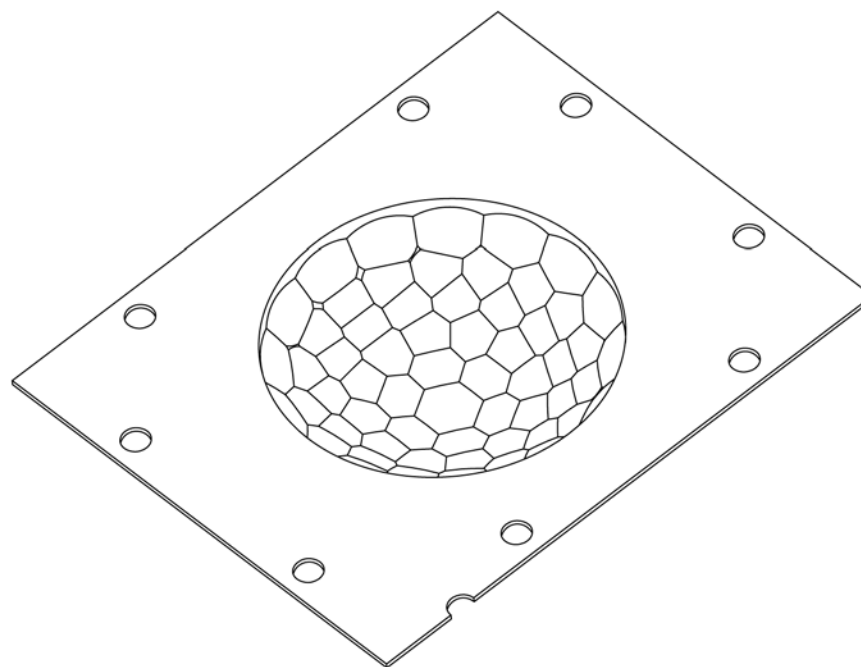
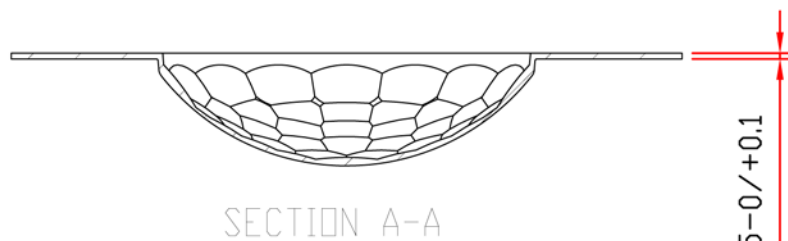
PART NUMBER	DESCRIPTION
12076/01	PF68 NO HOLES - NATURAL
12076/01-W	PF68 NO HOLES - WHITE
12076/01-B	PF68 NO HOLES - BLACK

REMOVE ALL SHARP CORNERS DIMENSIONS IN MILLIMETERS		DRAWN	SMM																
TOLERANCES AS SHOWN UNLESS OTHERWISE SPECIFIED ALL DIMENSIONS +/-0.15		APPROVED	GH																
		DATE	01/10/10																
		ISSUE	1																
		SCALE:	FULL	FIRST ANGLE PROJECTION	DRAWING NUMBER: 60648		A4												
FINISH		POLISHED SURFACE		TITLE		PF68 CEILING LENS		SHEET: 2											
MATERIAL		HDPE		DATE: 01/10/10		OF: 2		THESE DRAWINGS ARE COPYRIGHT AND SHALL NOT BE REPRODUCED OR DISCLOSED TO A THIRD PARTY WITHOUT EXPRESS PERMISSION BY CARCLO TECHNICAL PLASTICS LTD											
				DRAWN: SMM				DRAWING TYPE:											
				CHECKED: GH				MOULDING DETAILS											
				CUSTOMER APPROVAL SIGN: N/A				COMPONENT DRAWING											
				DATE:				TOOL DRAWING											
								INSERT DRAWINGS											
								PART NUMBER: SEE ABOVE TABLE											

CARCLO TECHNICAL PLASTICS
MOSSBURN AVENUE
HARTHILL INDUSTRIAL ESTATE
HARTHILL
LANARKSHIRE
SCOTLAND



- NOTES:
1. GENERAL TOLERANCE ± 0.15 UNLESS OTHERWISE STATED
 2. MATERIAL: HIGH DENSITY POLYTETHENE
 3. THIS DRG. IS THE PROPERTY OF CARCLO-PLC AND MUST NOT BE COPIED OR DISCLOSED TO ANY THIRD PARTY
 4. SEE PF68 DATA SHEET FOR TRANSMISSION DATA
 5. DIAMETER OF CROPPED VARIANT



ISOMETRIC VIEW IN THE DIRECTION OF ARROW 'A'

PART NUMBER	DESCRIPTION
12076	PF68 - NATURAL
12076-W	PF68 - WHITE
12076-B	PF68 - BLACK

REMOVE ALL SHARP CORNERS DIMENSIONS IN MILLIMETERS		DRAWN	SMM																
TOLERANCES AS SHOWN UNLESS OTHERWISE SPECIFIED ALL DIMENSIONS +/-0.15		APPROVED	GH																
		DATE	01/10/10																
		ISSUE	1																
		SCALE:	FIRST ANGLE PROJECTION	DRAWING NUMBER: 60648				A4											
		FULL																	
FINISH	POLISHED SURFACE	DATE: 01/10/10		TITLE PF68 CEILING LENS				SHEET: 1											
MATERIAL	HDPE	DRAWN: SMM						OF: 2											
		CHECKED: GH		THESE DRAWINGS ARE COPYRIGHT AND SHALL NOT BE REPRODUCED OR DISCLOSED TO A THIRD PARTY WITHOUT EXPRESS PERMISSION BY CARCLO TECHNICAL PLASTICS LTD				©											
CARCLO TECHNICAL PLASTICS MOSSBURN AVENUE HARTHILL INDUSTRIAL ESTATE HARTHILL LANARKSHIRE SCOTLAND		CUSTOMER APPROVAL SIGN: N/A		DRAWING TYPE:				PART NUMBER:											
		DATE:		MOULDING DETAILS				SEE ABOVE TABLE											
				COMPONENT DRAWING															
				TOOL DRAWING															
				INSERT DRAWINGS															