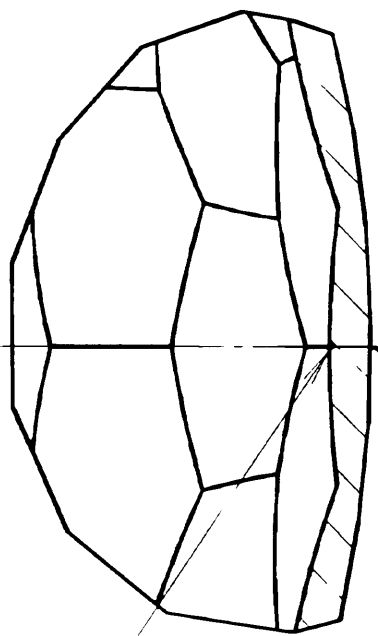
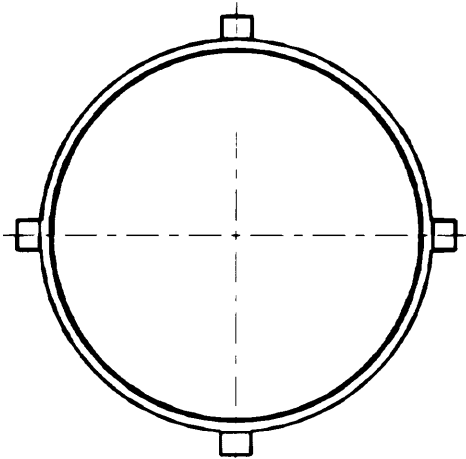
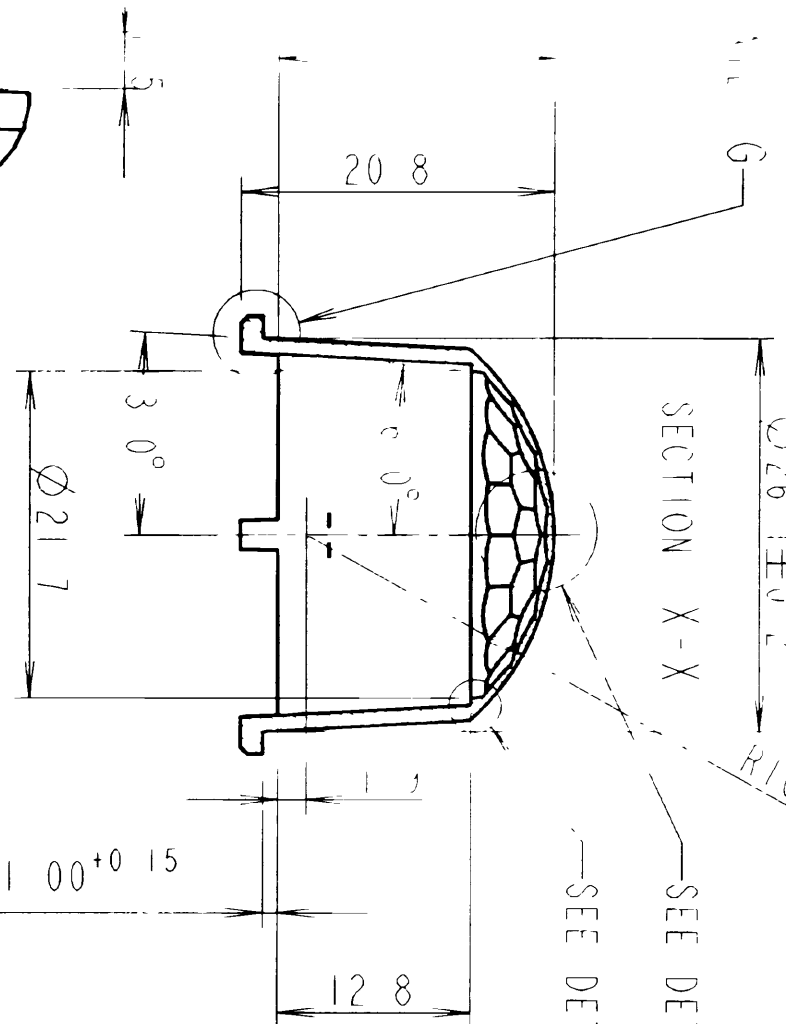


GATE POSITION:
CENTRE LENS HAS
SMALL SCAR



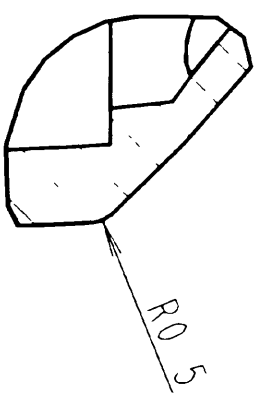
POINT 'P'

SECTION X-X

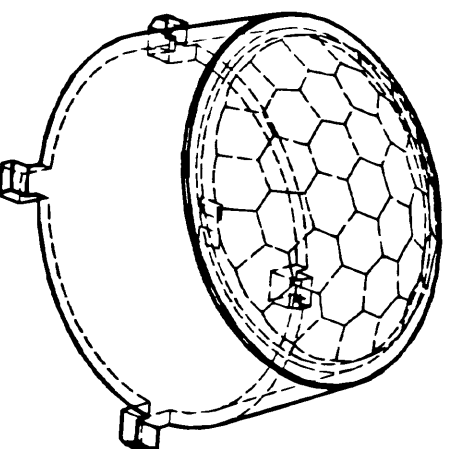


SEE DETAIL D

SEE DETAIL E

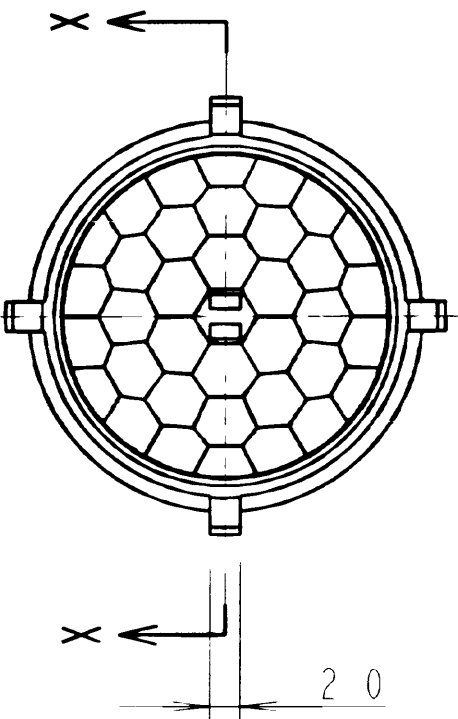


3D VIEW



DETAIL E
SCALE 10:1

- NOTES -
- 1 GENERAL DRAFT ANGLE 3 DEG
 - 2 MATERIAL CLEAR HIGH DENSITY POLYETHENE
 - 3 POINT 'P' TO BE MOUNTED 14.4mm FROM APPARENT DETECTOR ELEMENT POSITION



2.0

Pro/Engineer
CAD System

ISS	DATE	E.C.N	DESCRIPTION
5	15 Feb 00		REDRAWN ON CAD

COMBINED OPTICAL
INDUSTRIES LIMITED
200 BATH ROAD
SLOUGH, SL1 4DW
ENGLAND

TEL +44 1753 575011 email
FAX +44 1753 811359 design@coil.co.uk

GENERAL TOLERANCES (UNLESS STATED)

LINEAR	ANGULAR
X +/- 0.25	X +/- 1°
X X +/- 0.1	X X +/- 0.5°
X XX +/- 0.05	X XX +/- 0.1°

CUSTOMER

TITLE

COIL MULTILENS

DRAWN	RJL	DATE	15-Feb-00
CHK'D		DATE	
APP'D		DATE	
SCALE		COIL PART No	

2.1 9425

SIZE COIL DRG No SHEET

A3 40886 1 OF 2

©1998 Combined Optical Industries Ltd.

ALL DIMENSIONS IN mm