

©2011 CTP-COIL  
ALL DIMENSIONS IN mm

CUSTOMER DRAWING

ISS.	DATE	E.C.N.	DESCRIPTION
1	05-Dec-02		FIRST ISSUE
2	03-Jan-03	1/03/1076	REFER TO ECN
3	28-Feb-03	02/03/1090	FLANGE LEGS ADDED
4	04 SEP'14	DCN1379	CUSTOMER DRAWING INTRODUCED. P.SUTTON



CTP-COIL  
111 BUCKINGHAM AVE, SLOUGH  
SL1 4PF, ENGLAND  
TEL: +44 1753 575011 FAX: +44 1753 811359  
email: design@coil.co.uk

GENERAL TOLERANCES (UNLESS STATED)

LINEAR	ANGULAR
X +/- 0.25	X +/- 1°
X.X +/- 0.1	X.X +/- 0.5°
X.XX +/- 0.05	X.XX +/- 0.1°

CUSTOMER

TITLE

PF17 CAP-LENS

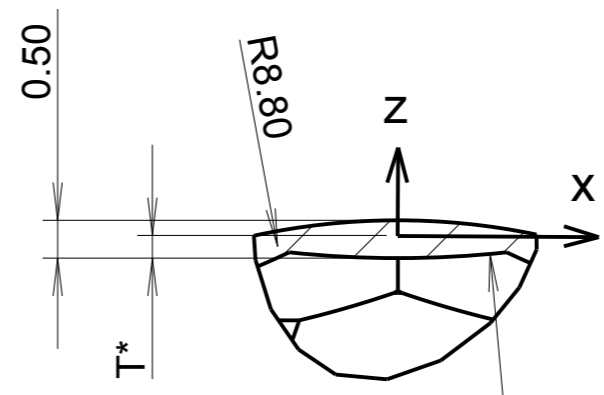
DRAWN RJL DATE 05-Dec-02

CHK'D DATE

APP'D DATE

SCALE 5:1 COIL PART No. 10016

SIZE A3 COIL DRG. No. 60338 SHEET 2 OF 2



DETAIL D  
SCALE 10:1  
\* SEE TABLE  
R8.8 IS THE CORE RADIUS  
BEFORE MACHINING