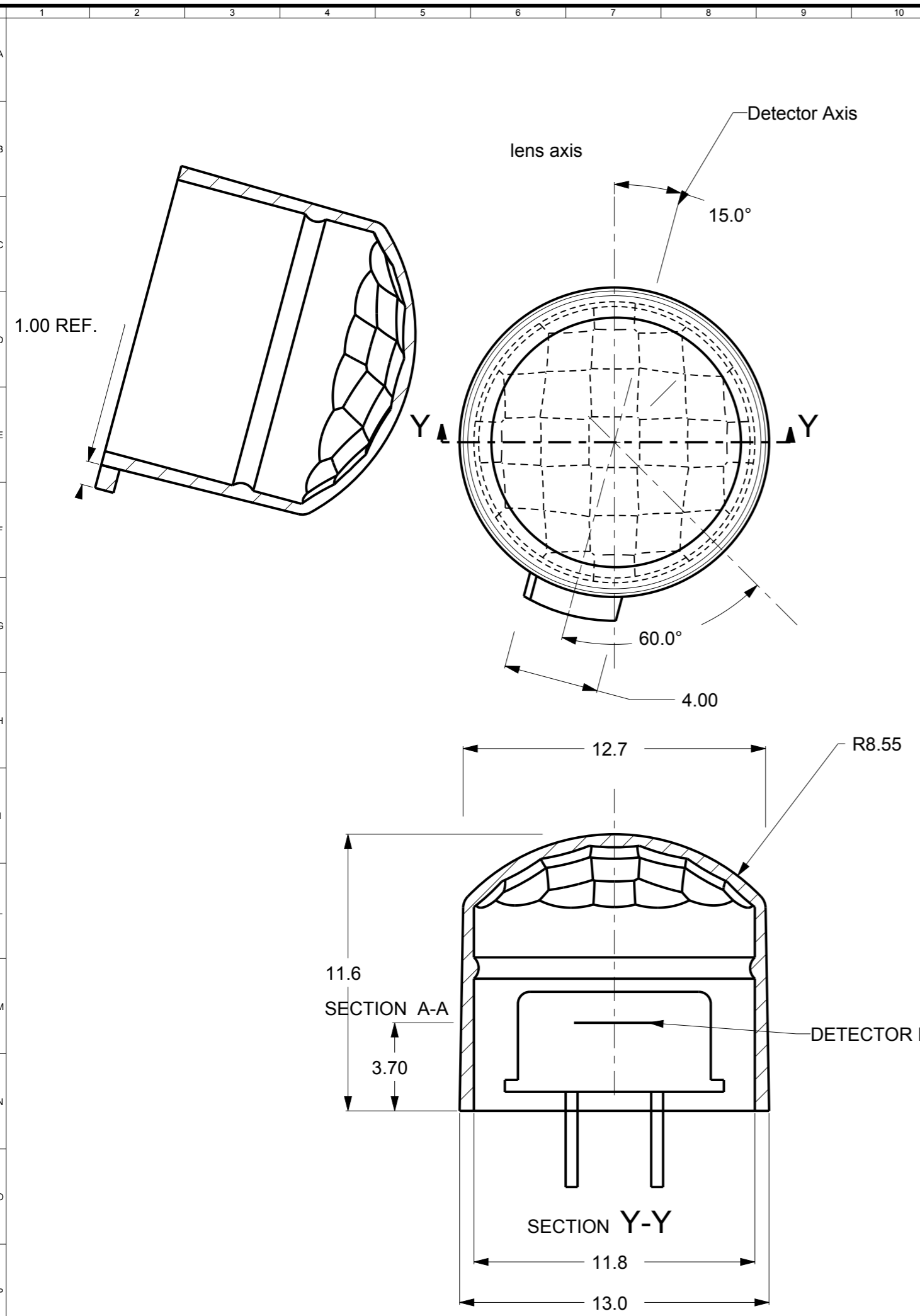
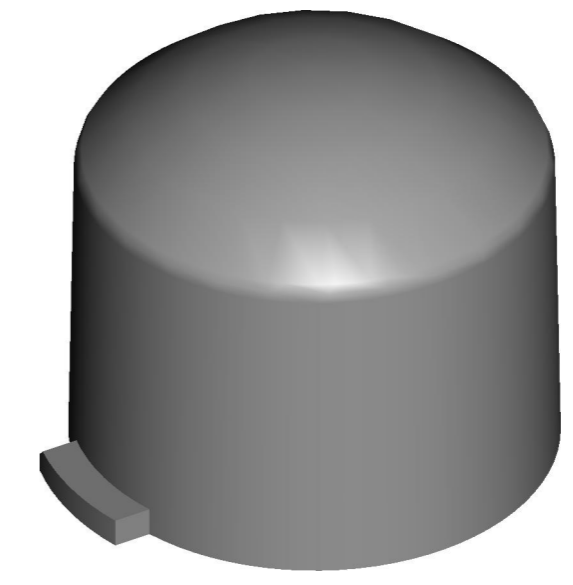


REV.	DATE	D.C.N. NUMBER	DESCRIPTION	CHECKED BY DATE	APPROVED BY DATE
1	09/03/12		FIRST ISSUE	MB 09/03/12	MB 09/03/12



CUSTOMER DRAWING



- NOTES:-
- 1° DRAFT UNLESS STATED
 - ITEM TO BE USED WITH CARCLO PART NO.10029 and EXCELITAS QUAD PYRO WITH 0.8MM SQUARE ELEMENTS AND 0.8MM SPACING WITH DIAGONAL COMMON ELEMENT POLARITY EG. PYQ1348 FOR CORRECT ZONE ALIGNMENT.

carclo technical plastics 103 BUCKINGHAM AVE, SLOUGH, BERKSHIRE, SL1 4PF, UK Tel: +44 1753 610800 Fax: +44 1753 811359 design@carclo-optics.com www.carclo-optics.com	Title	DIAMOND 37 LENS				
	Customer	Carclo				
Drawn by	DJG	Material	HIGH DENSITY POLYETHENE	Scale	5:1	
THIRD ANGLE PROJECTION	GENERAL TOLERANCES UNLESS OTHERWISE STATED		DIMENSIONS IN mm		Format Size	A3
	0 ±0.25 0.0 ±0.1 0.00 ±0.05	0 ±0.5° 0.00 ±0.1°	CAD File		86-12621-70118-LENS-C1-R9	
	CARCLO technical plastics CONFIDENTIAL: UNAUTHORISED COPYING, DISCUSSION & DISTRIBUTION PROHIBITED		Drw. N°	70118	Part N°	12621