

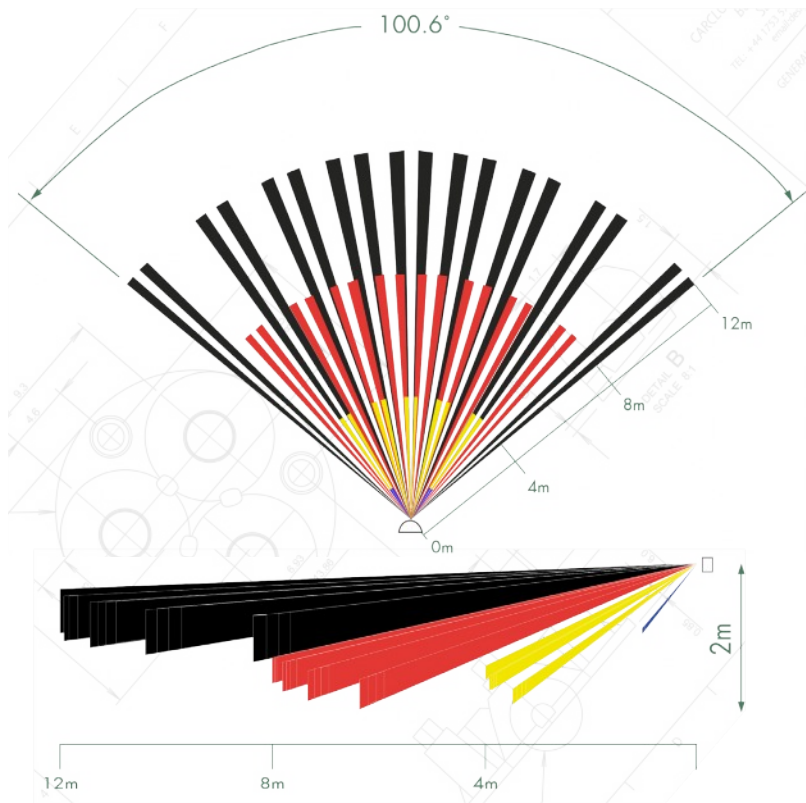
PF 24B

Item Code 5909
 Drawing Number 60085 / 60121

Available with different hole patterns, transparent, white, light grey, black and custom colours.

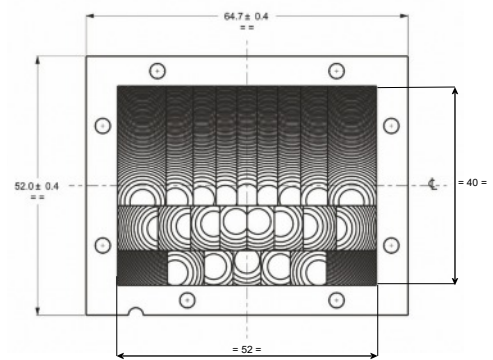
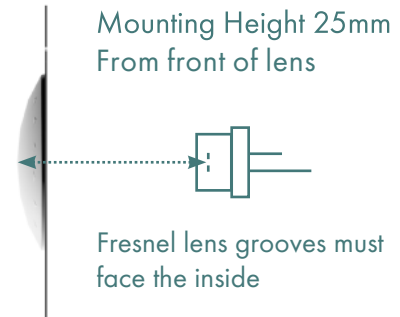
The PF 24B is a volumetric lens designed to trigger walking toward the detector and also crossing the detector zones.

- Suitable for security and building automation
- Mounted on 25mm radius* *
- Wide field of view
- Carclo Standard lens size.



Typical Field of View diagrams when used in conjunction with type A pyro.

Note: Field of view (FOV) diagrams are idealised. Exact zones may depend on mounting conditions, detector type etc. FOV diagrams have been raytraced in reverse, i.e. from detector to the floor.

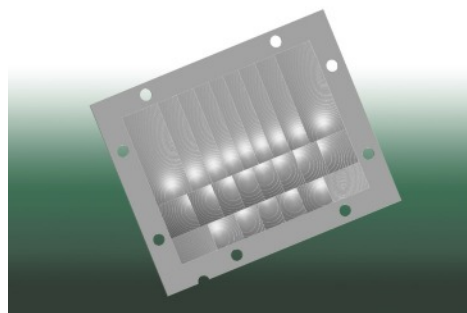


Making PIR Work

Leading design and manufacture of PIR Lenses

PF 24B

Item Code 5909
 Drawing Number 60085 / 60121



Compatible Sensor Types	A, C***	View on Website
Additional Sensor Types*	B*, D*, E*, G*, H*, I*	
Pyro Mounting Height	25mm from front of lens**	
Mounting Height from Floor	2 - 2.3 metres	
Detection Angle	100°	
Detection Range	Up to 12m	
Focal Length	25mm	
Material	Carclo HDPE	
Colours	Natural, White, Light Grey, Black	
Variants	With or without mounting holes****	
No. of Lenses	24	
Overall Lens Dimensions	52mm x 40mm	
Overall Part Dimensions	64mm x 52mm x 0.5mm	
Mounting	Curved 25mm Radius	

* May work with reduced signal. Recommend trial

** For some lenses the optical distance is critical- e.g. must equal 3.6+-0.1 mm on drawing "Optical Distance" or a spacer under Pyro to achieve correct focal length to lens. Beware of Pyro orientation. Pyro Mounting height (from top surface of optic to element plane on Pyro).

*** With correct orientation - 90 degree from the drawing on pyro table

**** A one off tooling charge may apply

Carclo Technical Plastics Ltd.
 47 Waters Way - Mitcham - Surrey - CR4 4HR - UK
 Tel: +44 (0) 208 685 0500 - sales@carclo-fresnels.com

Carclo Technical Plastics
 600 Depot Street - Latrobe -PA 15650 - USA
 Tel: +1 724 539 6995 - sales@carclo-usa.com

JVS Sales & Technical Consultants GmbH, Wiesenstrasse 104 - 53639 Königswinter - Germany
 Tel: +49 2244 918 130 - sales@carclo-fresnels.com