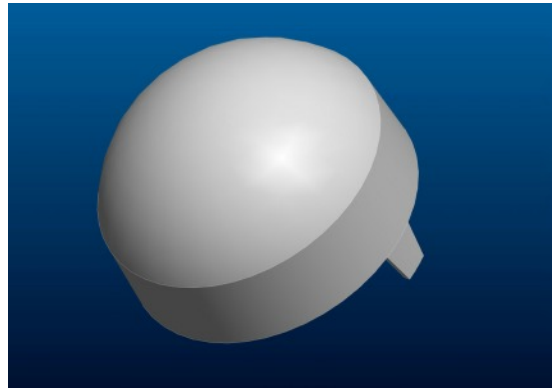


PF 19 (Domed Multi Lens)

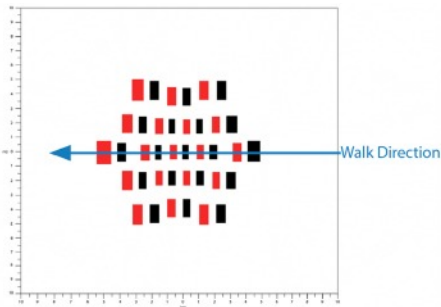
Item Code 9544
 Drawing Number A3-40984

Available with different hole patterns, transparent, white, light grey, black and custom colours.

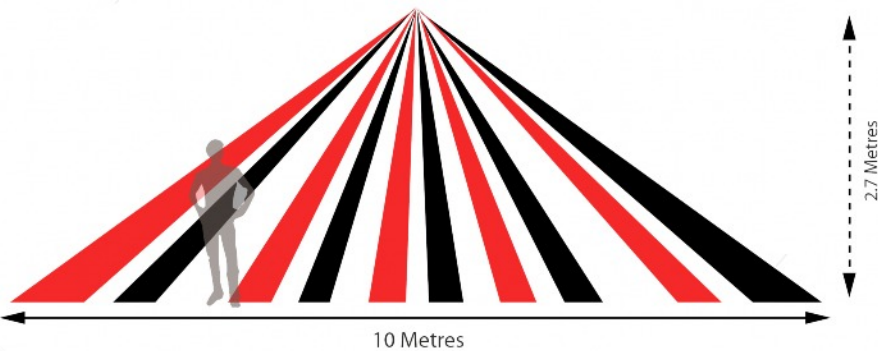
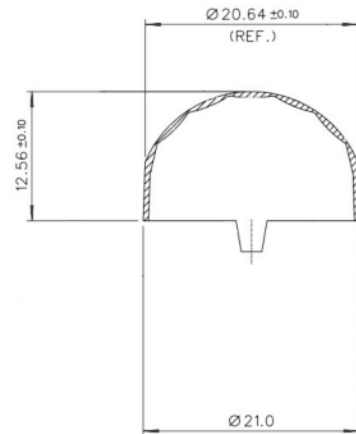
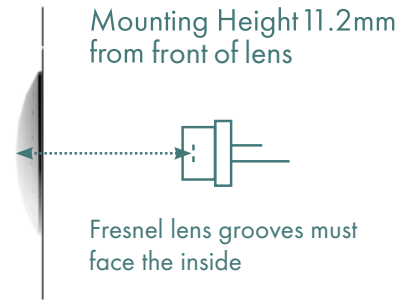
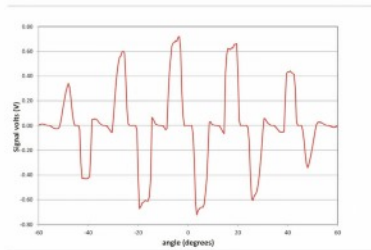
The PF 19 PIR lens is a small wide angle lens.
 The domed profile increases the mechanical stability of the product.
 It is suitable for ceiling or wall mounting and incorporates location features for easy alignment on the circuit board.



Typical field of view diagram when used in conjunction with Perkin Elmer Lhi 958 Detector with dual element configuration at a mounting height of 2.7m



Signal response of Lhi 958 used with PF 19 in a straight line walk test simulation. Walk direction is shown by the arrow on field of view diagram below.

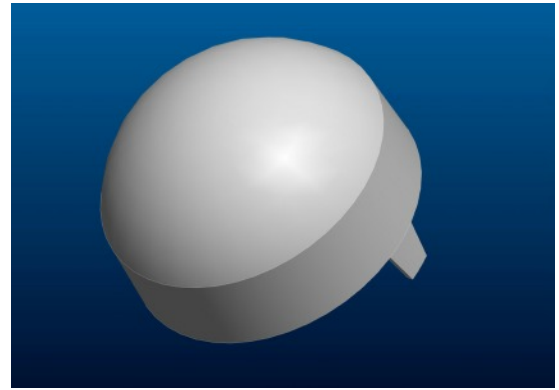


Note: Field of view (FOV) diagrams are idealised. Exact zones may depend on mounting conditions, detector type etc. FOV diagrams have been raytraced in reverse, i.e. from detector to the floor.



Making PIR Work

Leading design and manufacture of PIR Lenses



PF 19 (Domed Multi Lens)

Item Code 9544
 Drawing Number A3-40984

Compatible Sensor Types	A, C, E, G	View on Website
Additional Sensor Types*	B*, D*, H*, I*	
Pyro Mounting Height	11.2mm from front of lens**	
Mounting Height from Floor	2 - 5 metres	
Detection Angle	110°	
Detection Range	2 - 5m	
Focal Length	11.2mm	
Material	Carclo HDPE	
Colours	Natural, White, Light Grey, Black	
Variants	Need a washer. Does not sit on PCB.	
No. of Lenses	19	
Overall Lens Dimensions	21 mm diameter	
Overall Part Dimensions	21 mm x 12.56mm (16.00mm incl. Pegs)	

* May work with reduced signal. Recommend trial

** For some lenses the optical distance is critical- e.g. must equal 3.6+-0.1 mm on drawing "Optical Distance" or a spacer under Pyro to achieve correct focal length to lens. Beware of Pyro orientation. Pyro Mounting height (from top surface of optic to element plane on Pyro).

*** With correct orientation - 90 degree from the drawing on pyro table

**** A one off tooling charge may apply

Carclo Technical Plastics Ltd.
 47 Waters Way - Mitcham - Surrey - CR4 4HR - UK
 Tel: +44 (0) 208 685 0500 - sales@carclo-fresnels.com

Carclo Technical Plastics
 600 Depot Street - Latrobe -PA 15650 - USA
 Tel: +1 724 539 6995 - sales@carclo-usa.com

JVS Sales & Technical Consultants GmbH, Wiesenstrasse 104 - 53639 Königswinter - Germany
 Tel: +49 2244 918 130 - sales@carclo-fresnels.com