

PF 68

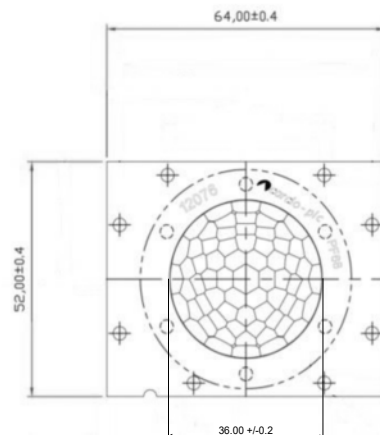
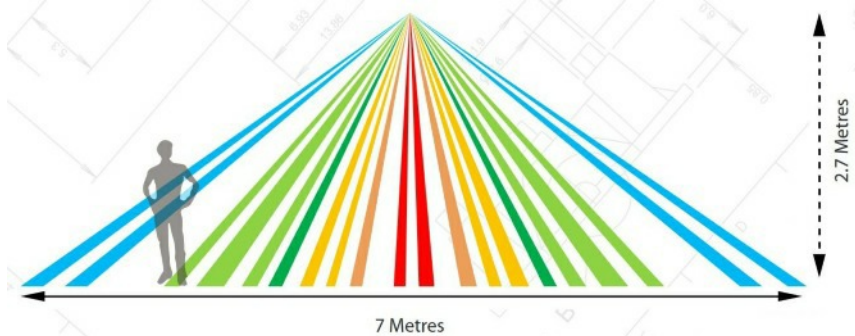
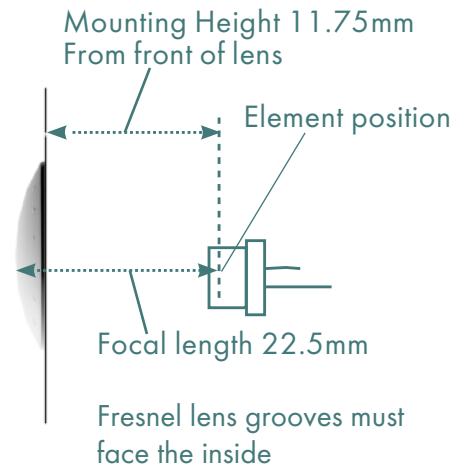
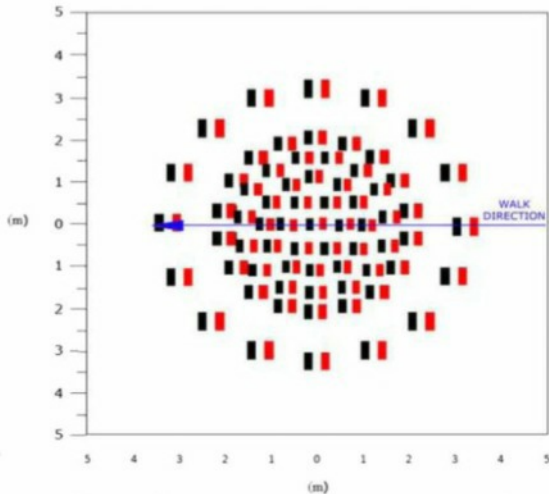
Item Code 12076
Drawing Number 60648

Available with different hole patterns, transparent, white, light grey, black and custom colours.

The PF68 ceiling lens is an improved version of the popular PF31 lens, with more than double the number of zones and virtually no zone overlap. Each of the 68 lens focal lengths have been precisely optimised.

- Improved zone edge sharpness
- Carclo standard mounting holes
- Retro-fit to housings designed for the PF31

Typical field of view when used in conjunction with type A pyro with dual element configuration at a mounting height of 2.7 metres

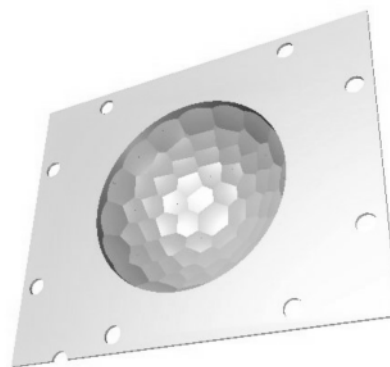


Note: Field of view (FOV) diagrams are idealised. Exact zones may depend on mounting conditions, detector type etc. FOV diagrams have been raytraced in reverse, i.e. from detector to the floor.



Making PIR Work

Leading design and manufacture of PIR Lenses



PF 68

Item Code 12076
Drawing Number 60648

Compatible Sensor Types	A, B, F	View on Website
Additional Sensor Types*	D*, H***, I*	
Pyro Mounting Height	11.75mm from front of lens**	
Mounting Height from Floor	2 - 5 metres	
Detection Angle	104°	
Detection Range	2 - 3 metres	
Focal Length	11.75mm	
Material	Carclo HDPE	
Colours	Natural, White, Light Grey, Black	
Variants	With or Without Mounting Holes	
	Cropped to standard or custom shape	
No. of Lenses	68	
Overall Lens Dimensions	36mm x 10.75mm	
Overall Part Dimensions	64mm x 52mm x 0.5mm	
Mounting	Wall or ceiling	

* May work with reduced signal. Recommend trial

** For some lenses the optical distance is critical- e.g. must equal 3.6+-0.1 mm on drawing "Optical Distance" or a spacer under Pyro to achieve correct focal length to lens. Beware of Pyro orientation. Pyro Mounting height (from top surface of optic to element plane on Pyro).

*** With correct orientation - 90 degree from the drawing on pyro table

**** A one off tooling charge may apply

Carclo Technical Plastics Ltd.
47 Waters Way - Mitcham - Surrey - CR4 4HR - UK
Tel: +44 (0) 208 685 0500 - sales@carclo-fresnels.com

Carclo Technical Plastics
600 Depot Street - Latrobe -PA 15650 - USA
Tel: +1 724 539 6995 - sales@carclo-usa.com

JVS Sales & Technical Consultants GmbH, Wiesenstrasse 104 - 53639 Königswinter - Germany
Tel: +49 2244 918 130 - sales@carclo-fresnels.com

Rev. 16-8-16