

PF 31

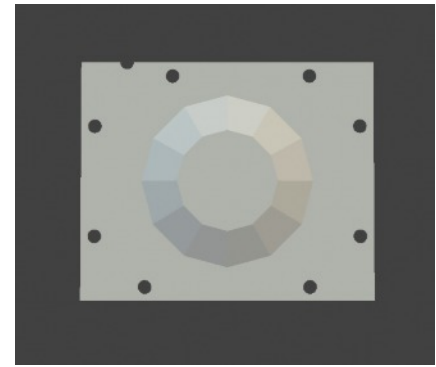
Item Code 5906
 Drawing Number A1- 60103

Available with different hole patterns, transparent, white, light grey, black and custom colours.

The popular PF 31 Ceiling lens is a low profile 360 degree PIR lens suitable for both security and building control applications.

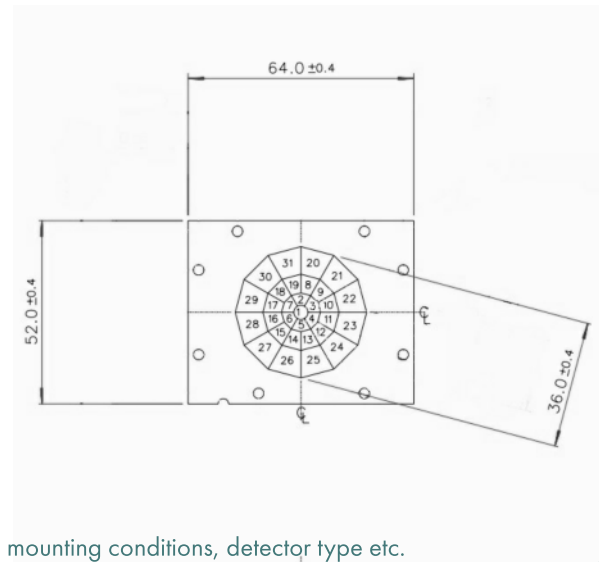
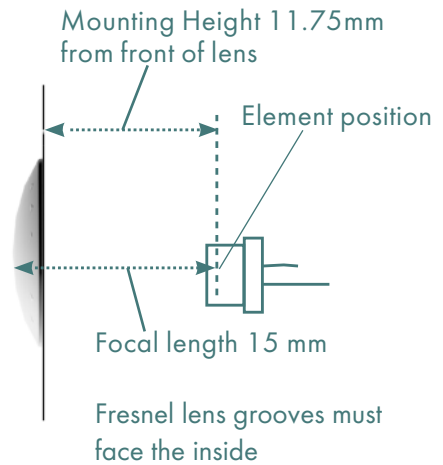
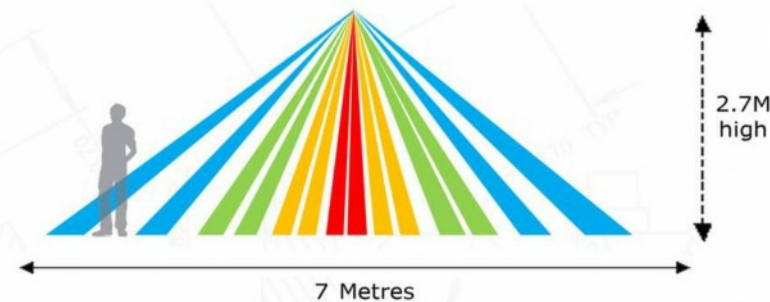
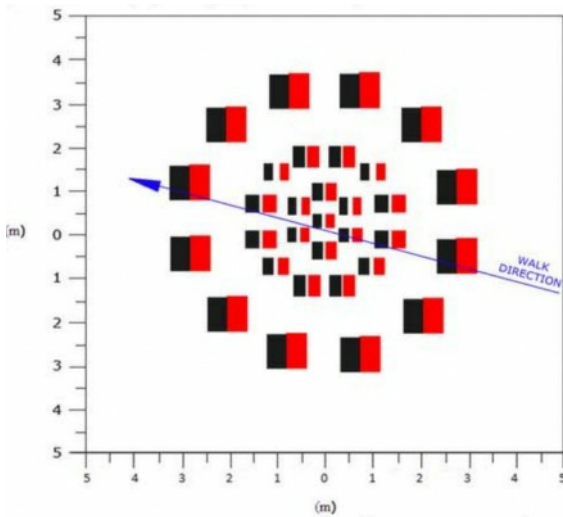
Its low profile makes this lens more discrete than many other products.

The lens can be supplied in a number of variations and can be custom cropped to the customer's requirements.



PF 31 Data Sheet

Typical field of view diagrams when used in conjunction with type A pyro

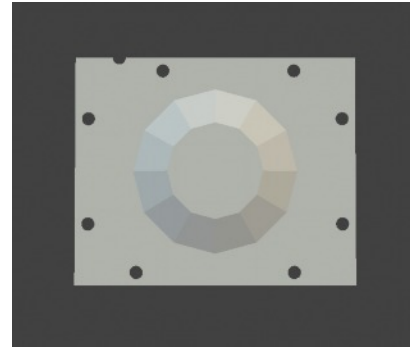


Note: Field of view (FOV) diagrams are idealised. Exact zones may depend on mounting conditions, detector type etc. FOV diagrams have been raytraced in reverse, i.e. from detector to the floor.



Making PIR Work

Leading design and manufacture of PIR Lenses



PF 31

Item Code 5906
Drawing Number A1 - 60103

Compatible Sensor Types	A, B	View on Website
Additional Sensor Types*	D*, E*, F*, G*	
Pyro Mounting Height	1.5mm from front of lens**	
Mounting Height from Floor	2 - 5 metres	
Detection Angle	102°	
Detection Range	2 - 5 metres	
Focal Length	15mm	
Material	Carclo HDPE	
Colours	Natural, White, Light Grey, Black	
Variants	With or without mounting holes****	
	Cropped to standard or custom shape	
No. of Lenses	31	
Overall Lens Dimensions	36mm x 3.25mm	
Overall Part Dimensions	64mm x 52mm x 0.5mm	
Mounting	Wall or ceiling	

* May work with reduced signal. Recommend trial

** For some lenses the optical distance is critical- e.g. must equal 3.6+-0.1 mm on drawing "Optical Distance" or a spacer under Pyro to achieve correct focal length to lens. Beware of Pyro orientation. Pyro Mounting height (from top surface of optic to element plane on Pyro).

*** With correct orientation - 90 degree from the drawing on pyro table

**** A one off tooling charge may apply

Carclo Technical Plastics Ltd.
47 Waters Way - Mitcham - Surrey - CR4 4HR - UK
Tel: +44 (0) 208 685 0500 - sales@carclo-fresnels.com

Carclo Technical Plastics
600 Depot Street - Latrobe -PA 15650 - USA
Tel: +1 724 539 6995 - sales@carclo-usa.com

JVS Sales & Technical Consultants GmbH, Wiesenstrasse 104 - 53639 Königswinter - Germany
Tel: +49 2244 918 130 - sales@carclo-fresnels.com

Rev. 16-8-16