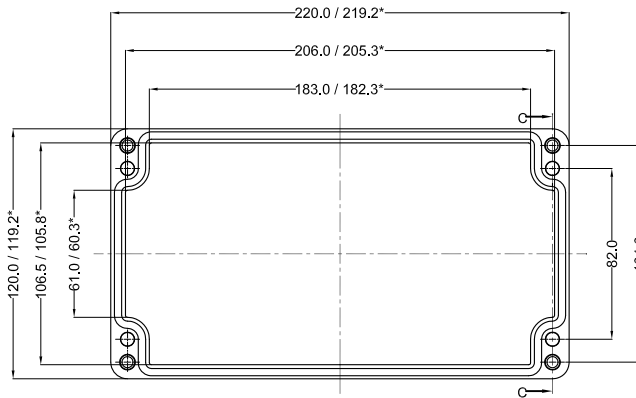
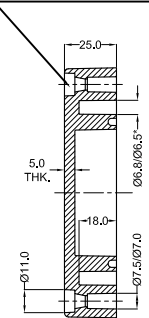


\* = Conical form tapering downward.  
 Untoleranced dimensions per DIN 16901-140

LID

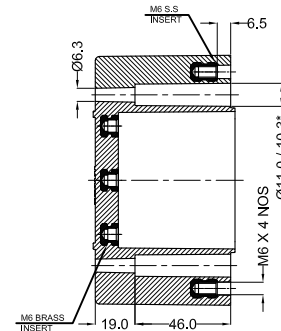
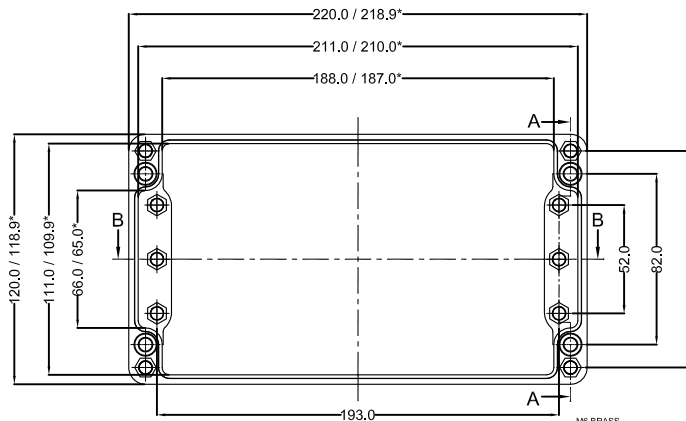


Cylinder Screw  
 M6 x 35/10 similar to DIN 84

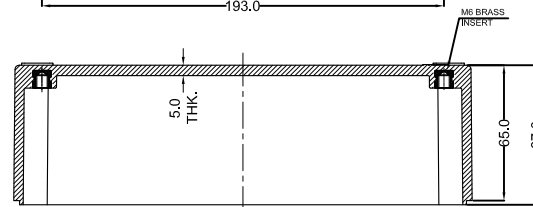


SECTION C-C

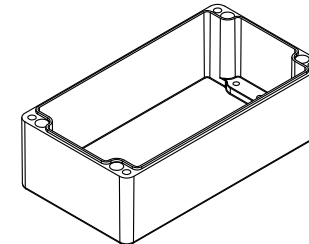
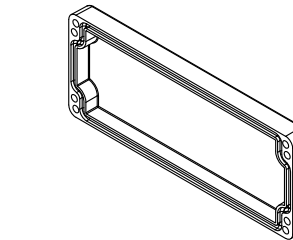
BASE



SECTION A-A



SECTION B-B



OPTIONAL ACCESSORIES		
PART NAME	QTY.	AVILABILITY
MOUNTING PLATE	1	Y
EXTERNAL HINGE	1	Y
INTERNAL HINGE	-	N
MOUNTING BRACKETS	4	Y
NEOPRENE/SILICON GASKET	1	Y
DIN RAIL TS15	-	N
DIN RAIL TS35	1	Y

3	GJB-1907555-B-03	GRP-30	BLACK RAL9011	02
2	GJB-1907555-B-02	GRP-30	BLACK RAL9011	01
1	GJB-1907555-B-01	GRP-23	GREY RAL7000	
Sr.No.	Drawing no.	RM Grade	Finish	VERSION

NO.	REV.NO.	DESCRIPTION	DATE	DRAWN	CHECKED
-	-	-	-	-	-
QUANTITY	MATERIAL :-	MACH.NAME	DATE	SIGN	NAME
-	<b>GRP</b>	-	03/01/14		RRPL DESIGN
		TITLE :-	03/01/14		MANOJ DRAWN
		GRP JUNCTION BOX 220 x 120 x 91			PAVAN CHECKED
					M.S. APPROVED
WEIGHT:	FINISH:	Raychem RPG (P) Limited	SCALE	PARTNO. .	
±0.2 DIMENSIONS	-	Ceat Mahal Annexe, Dr. Annie Besant Road, Worli, Mumbai 400030 Web : www.raychemrpg.com	REV	DRG. NO.	
±0.2 HOLES	ALL DIMENSION ARE IN MM		00	GJB-22012091-0	
±1.0° ANGLES	GRJ 11				

PROPERTY OF RaychemRPG (P) LTD.  
 ALL RIGHTS RESERVED AND/OR PHOTOCOPYING THIS DOCUMENT  
 TO A PERSON WITHOUT RaychemRPG (P) LTD. WRITTEN AUTHORIZATION IS PROHIBITED