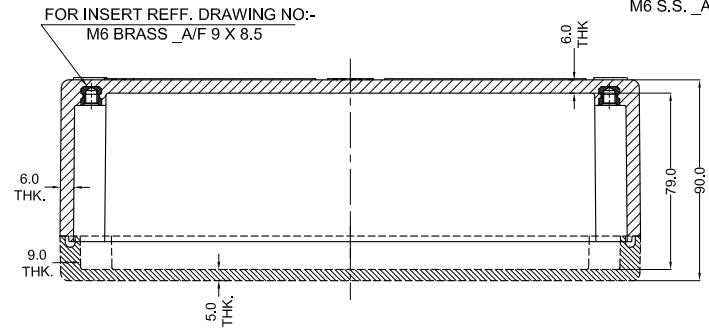


SECTION B-B

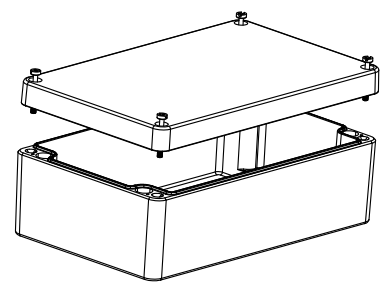
SECTION C-C

SECTION D-D

LID



SECTION A-A



Opening Detail (Size)	Equivalent through hole dia for Gland with tarrtling Plate mm	NO OF HOLES SIDE A/B	Min. Distance between the opening for Side A/B (mm)	NO OF HOLES SIDE C/D	Min. Distance between the opening for Side C/D (mm)	Opening Detail (Size) PG	Equivalent through hole dia for Gland with tarrtling Plate mm	NO OF HOLES SIDE A/B	Min. Distance between the opening for Side A/B (mm)	NO OF HOLES SIDE C/D	Min. Distance between the opening for Side C/D (mm)	Opening Detail (Size) NPT	NO OF HOLES SIDE A/B	Min. Distance between the opening for Side A/B (mm)	NO OF HOLES SIDE C/D	Min. Distance between the opening for Side C/D (mm)	Min. Distance of last opening from the enclosure end on side A/B (mm)	Min. Distance of last opening from the enclosure end on side C/D (mm)
M12	12	20	8	6	8	Pg.7	12.5	20	8.5	6	8.5	1/4" NPT	20	10	6	10	28	39
M16	16	16	9	4	9	Pg.9	15.2	16	9	4	9	3/8" NPT	16	10	4	10	29	39.5
M20	20	10	8	4	8	Pg.11	18.6	12	8.5	4	8.5	1/2" NPT	10	10	4	10	28	39
M25	25	8	12	3	12	Pg.13.5	20.4	10	8.5	3	8.5	3/4" NPT	8	14	3	14	32	41
M32	32	4	16	1	16	Pg.16	22.5	8	10	3	10	1" NPT	4	18	1	18	36	43
M40	40	3	20	1	20	Pg.21	28.3	4	13	2	13	1-1/4" NPT	3	22	1	22	40	45
M50	50					Pg.29	37	3	17	1	17	1-1/2" NPT					41	45.5
M63	63					Pg.35	47	2	20			2" NPT					41	45.5
						Pg.42	54											
						Pg.48	59.3											

NOTE :-

- 1) MACHINING DIMENSIONS TOLERANCE - ISO 2768-m
- 2) ALL EDGES ARE BURR FREE
- 3) HOLE AND THREADED HOLES PERPENDICULAR TO THE BOX FACE

3	GASKET	-	SILICONE
2	GJB-26016090-B-02	SMC-808-30	BLACK RAL9011
1	GJB-26016090-B-01	SMC-405-23	GREY RAL7000
Sr.No.	Drawing no.	RM Grade	Finish

GENERAL SPECIFICATION AND AREA CLASSIFICATION:

1. STANDARDS - IEC/EN 60079-0, IEC/EN 60079-7 & IEC/En 60079-31.
2. MATERIAL - GRP - GLASS REINFORCE POLYESTER - SHEET MOLDING COMPOUND
3. DEGREE OF PROTECTION IP66 AS PER IEC 60529 : 1989 +A1 : 2000
4. GASKET MANUFACTURER - WACKER CHEMIE AG, MODEL: CENUSIL R 150 AND - CONTINUOUS OPERATING TEMPERATURE AS - 70°C TO 200°C
5. GLASS % - 30% FOR Ex HOUSING ; DENSITY - 1.7 to 1.9 g/cm² ; IMPACT - 7J
6. SERVICE TEMPERATURE RANGE : - 50 °C to +100 °C
7. ALL DIMENSIONS ARE IN mm. UNLESS STATED OTHERWISE.
8. STANDARD COLOUR - BLACK
9. THE JUNCTION BOX WILL BE MARKED WITH



II 2 G Ex e IIC Gb
II 2 D Ex tb IIC Db IP 66 IP

0539

DEMKO 13 ATEX XXXXXXXXU
IECEx UL 13.XXXXXU

10. TIGHTENING TORQUE - (1-2) NM
11. EXTERNAL / INTERNAL EARTHING CONDUCTOR CROSS SECTION 4mm² To 35 mm²

NO.	REV.NO.	DESCRIPTION	DATE	DRAWN	CHECKED
QUANTITY	MATERIAL :-	MACH.NAME	DATE	SIGN	NAME
			31/08/15		RRPL DESIGN
			31/08/15		MANOJ DRAWN
			31/08/15		G.K. CHECKED
					J.B. APPROVED
TOLERANCE	WEIGHT: FINISH:	TITLE :-	SCALE	MODEL NO.	ExGRJ 13
- DIMENSIONS		Ex TYPE			
- HOLES		GRP-JUNCTION BOX			
- ANGLES		260 x 160 X 90			
	ALL DIMENSION ARE IN MM	Raychem RPG (P) Limited			
		Ceat Mahal Annexe,			
		Dr. Annie Besant Road ,			
		Worli , Mumbai 400030			
		Web : www.raychemrpg.com			
			DRG. NO.		
			REV		
			0		
					Ex-GRJ 13-26016090-U