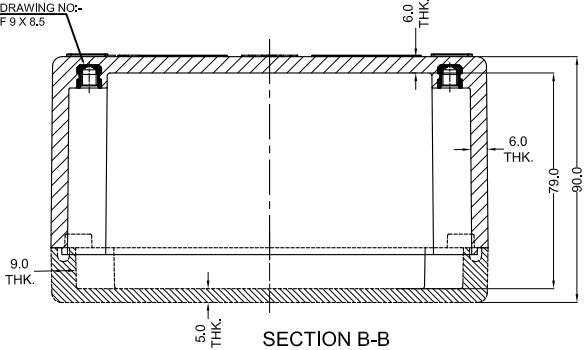
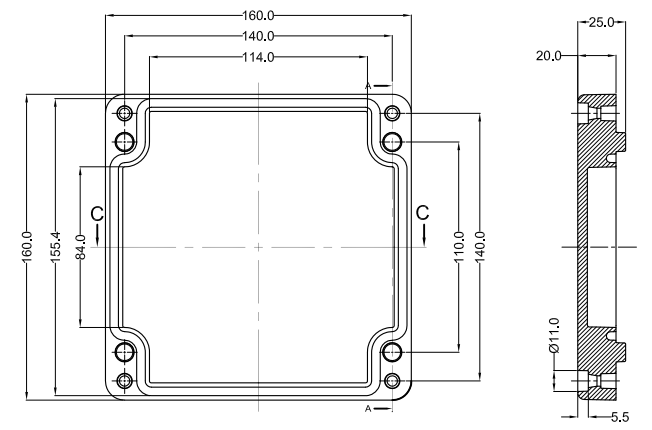
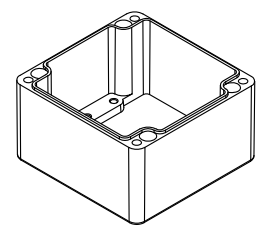


FOR INSERT REFF. DRAWING NO:- M6 S.S._A/F9X12.8

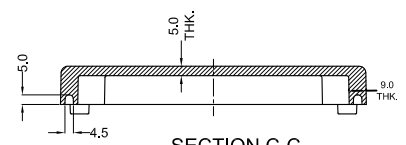
SECTION A-A



SECTION B-B



SECTION A-A



SECTION C-C

GENERAL SPECIFICATION AND AREA CLASSIFICATION:

- STANDARDS - IEC/EN 60079-0, IEC/EN 60079-7 & IEC/EN 60079-31.
 - MATERIAL - GRP - GLASS REINFORCE POLYESTER - SHEET MOLDING COMPOUND
 - DEGREE OF PROTECTION IP66 AS PER IEC 60529 : 1989 +A1 : 2000
 - GASKET MANUFACTURER - WACKER CHEMIE AG, MODEL: CENUSIL R 150 AND - CONTINUOUS OPERATING TEMPERATURE AS - 70°C TO 200°C
 - GLASS % - 30% FOR Ex HOUSING ; DENSITY - 1.7 to 1.9 g/cm² ; IMPACT - 7J
 - SERVICE TEMPERATURE RANGE : - 50 °C to +100 °C
 - ALL DIMENSIONS ARE IN mm. UNLESS STATED OTHERWISE.
 - STANDARD COLOUR - BLACK
 - THE JUNCTION BOX WILL BE MARKED WITH
- II 2 G Ex e IIC Gb
 II 2 D Ex tb IIC Db IP 66 IP
 0539 DEMKO 13 ATEX XXXXXXXX
 IECEx UL 13.XXXXX
- TIGHTENING TORQUE - (1-2) NM
 - EXTERNAL / INTERNAL EARTHING CONDUCTOR CROSS SECTION 4mm² To 35 mm²

Opening Detail (Size)	Equivalent through hole dia for Gland with Earthing Plate mm	NO OF HOLES SIDE A/B	Min. Distance between the opening for Side A/B (mm)	NO OF HOLES SIDE C/D	Min. Distance between the opening for Side C/D (mm)	Opening Detail (Size) PG	Equivalent through hole dia for Gland with Earthing Plate mm	NO OF HOLES SIDE A/B	Min. Distance between the opening for Side A/B (mm)	NO OF HOLES SIDE C/D	Min. Distance between the opening for Side C/D (mm)	Opening Detail (Size) NPT	NO OF HOLES SIDE A/B	Min. Distance between the opening for Side A/B (mm)	NO OF HOLES SIDE C/D	Min. Distance of last opening from the enclosure end on side A/B (mm)	Min. Distance of last opening from the enclosure end on side C/D (mm)	
M12	12	11	8	6	8	Pg.7	12.5	11	8.5	6	8.5	1/4" NPT	11	10	6	10	28	39
M16	16	8	9	4	9	Pg.9	15.2	10	9	4	9	3/8" NPT	8	10	4	10	29	39.5
M20	20	6	8	4	8	Pg.11	18.6	6	8.5	4	8.5	1/2" NPT	6	10	4	10	28	39
M25	25	4	12	3	12	Pg.13.5	20.4	6	8.5	3	8.5	3/4" NPT	4	14	3	14	32	41
M32	32	2	16	1	16	Pg.16	22.5	4	10	3	10	1" NPT	2	18	1	18	36	43
M40	40	1	20	1	20	Pg.21	28.3	3	13	2	13	1-1/4" NPT	1	22	1	22	40	45
M50	50					Pg.29	37	1	17	1	17	1-1/2" NPT					41	45.5
M63	63					Pg.36	47	1	20			2" NPT					41	45.5
						Pg.42	54											
						Pg.48	59.3											

NOTE :-
 1) MACHINING DIMENSIONS TOLERANCE - ISO 2768-m
 2) ALL EDGES ARE BURR FREE

3	GASKET	-	SILICONE
2	GJB-16016090-B-02	SMC-808-30	BLACK RAL9011
1	GJB-16016090-B-01	SMC-405-23	GREY RAL7000
Sr.No.	Drawing no.	RM Grade	Finish

NO.	REV.NO.	DESCRIPTION	DATE	DRAWN	CHECKED
-	-	-	-	-	-
QUANTITY	MATERIAL :-	MACH.NAME	DATE	SIGN	NAME
			31/08/15		RRPL DESIGN
			31/08/15		MANOJ DRAWN
			31/08/15		G.K. CHECKED
					J.B. APPROVED
TOLERANCE	WEIGHT: FINISH:	TITLE :-	SCALE	MODEL NO.	ExGRJ 07
-	-	Ex TYPE GRP JUNCTION BOX 160 x 160 x 91			
-	-	Raychem RPG (P) Limited	REV	DRG. NO.	
-	-	Ceat Mahal Annexe, Dr. Anile Besant Road, Worli, Mumbai 400030	0		
-	-	Web : www.raychemrpg.com			Ex-GRJ 07 -16016090-U

PROPERTY OF RaychemRPG (P) LTD.
 ALL RIGHTS RESERVED AND/OR PHOTOCOPIING THIS DOCUMENT
 TO A PERSON WITHOUT RaychemRPG (P)LTD. WRITTEN AUTHORIZATION IS PROHIBITED