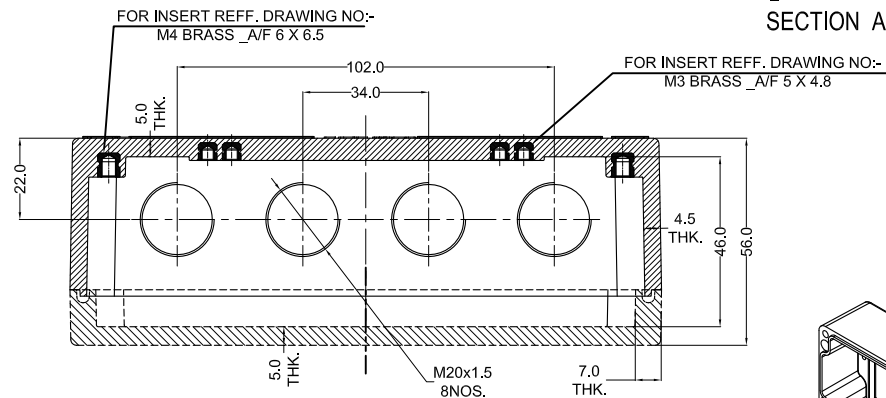
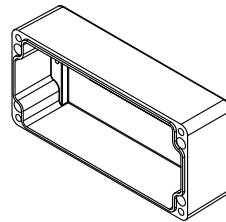


FOR INSERT REFF. DRAWING NO:-
M4 S.S. _A/F 6 X 9

SECTION A-A



SECTION B-B

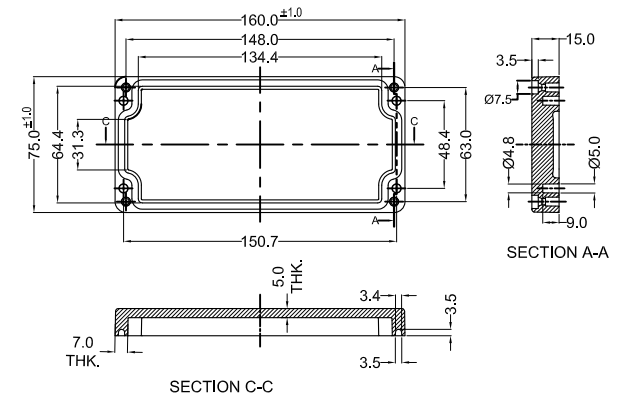


Opening Detail (Size)	Equivalent through hole dia for Gland with Earthing Plate mm	NO OF HOLES SIDE A/B	Min. Distance between the opening for Side A/B (mm)	NO OF HOLES SIDE C/D	Min. Distance between the opening for Side C/D (mm)	Opening Detail (Size) PG	Equivalent through hole dia for Gland with Earthing Plate mm	NO OF HOLES SIDE A/B	Min. Distance between the opening for Side A/B (mm)	NO OF HOLES SIDE C/D	Min. Distance between the opening for Side C/D (mm)	Opening Detail (Size) NPT	NO OF HOLES SIDE A/B	Min. Distance between the opening for Side A/B (mm)	NO OF HOLES SIDE C/D	Min. Distance between the opening for Side C/D (mm)	Min. Distance of last opening from the enclosure end on side A/B (mm)	Min. Distance of last opening from the enclosure end on side C/D (mm)
M12	12	5	8	1	8	Pg.7	12.5	5	8.5	1	8.5	1/4" NPT	5	10	1	10	23	26
M16	16	4	9	1	9	Pg.9	15.2	4	9	1	9	3/8" NPT	4	10	1	10	24	26.5
M20	20	3	8	1	8	Pg.11	18.6	3	8.5	1	8.5	1/2" NPT	3	10	1	10	23	26
M25	25					Pg.13.5	20.4	2	8.5	1	8.5	3/4" NPT					27	28
M32	32					Pg.16	22.5					1" NPT						
M40	40					Pg.21	28.3					1-1/4" NPT						
M50	50					Pg.29	37					1-1/2" NPT						
M63	63					Pg.36	47					2" NPT						
						Pg.42	54											
						Pg.48	59.3											

- NOTE :-
 1) MACHINING DIMENSIONS TOLERANCE - ISO 2768-m
 2) ALL EDGES ARE BURR FREE
 3) HOLE AND THREADED HOLES PERPENDICULAR TO THE BOX FACE

4	GASKET	-	SILICONE	-
3	GJB-1607555-B-02	SMC-808-30	BLACK RAL9011	02
2	GJB-1607555-B-02	SMC-808-30	BLACK RAL9011	01
1	GJB-1607555-B-01	SMC-405-23	GREY RAL7000	

PROPERTY OF RaychemRPG (P) LTD.
 ALL RIGHTS RESERVED AND/OR PHOTOCOPIING THIS DOCUMENT
 TO A PERSON WITHOUT RaychemRPG (P) LTD. WRITTEN AUTHORIZATION IS PROHIBITED



GENERAL SPECIFICATION AND AREA CLASSIFICATION:

- STANDARDS - IEC/EN 60079-0, IEC/EN 60079-7 & IEC/En 60079-31.
- MATERIAL - GRP - GLASS REINFORCE POLYESTER - SHEET MOLDING COMPOUND
- DEGREE OF PROTECTION IP66 AS PER IEC 60529 : 1989 +A1 : 2000
- GASKET MANUFACTURER - WACKER CHEMIE AG, MODEL: CENUSIL R 150 AND - CONTINUOUS OPERATING TEMPERATURE AS - 70°C TO 200°C
- GLASS % - 30% FOR Ex HOUSING ; DENSITY - 1.7 TO 1.9 g/cm² ; IMPACT - 7J
- SERVICE TEMPERATURE RANGE : - 50 °C TO +100 °C
- ALL DIMENSIONS ARE IN mm. UNLESS STATED OTHERWISE.
- STANDARD COLOUR - BLACK
- THE JUNCTION BOX WILL BE MARKED WITH



II 2 G Ex e IIC Gb
 II 2 D Ex tb IIIC Db IP 66 IP

0539

DEMKO 13 ATEX XXXXXXXU
 IECEx UL 13.XXXXU

- TIGHTENING TORQUE - (1-2) NM
- EXTERNAL / INTERNAL EARTHING CONDUCTOR CROSS SECTION 4mm² To 35 mm²

NO.	REV.NO.	DESCRIPTION	DATE	DRAWN	CHECKED
QUANTITY	MATERIAL :-	MACH.NAME	DATE	SIGN	NAME
			31/03/15		RRPL DESIGN
			31/03/15		MANOJ DRAWN
			31/03/15		G.K. CHECKED
			31/03/15		J.B. APPROVED
TOLERANCE	WEIGHT : FINISH :	TITLE :-	SCALE	MODEL NO.	ExGRJ 05
		Ex TYPE GRP JUNCTION BOX 160 x 75 x 55			DRG. NO.
		Raychem RPG (P) Limited Ceat Mahal Annexe, Dr. Annie Besant Road , Worli , Mumbai 400030 Web : www.raychemrpg.com			REV 0 Ex-GJB 05-1607555-U
		ALL DIMENSION ARE IN MM			
		GRJ 05			