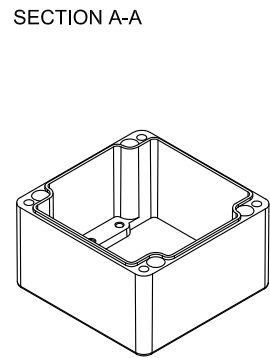
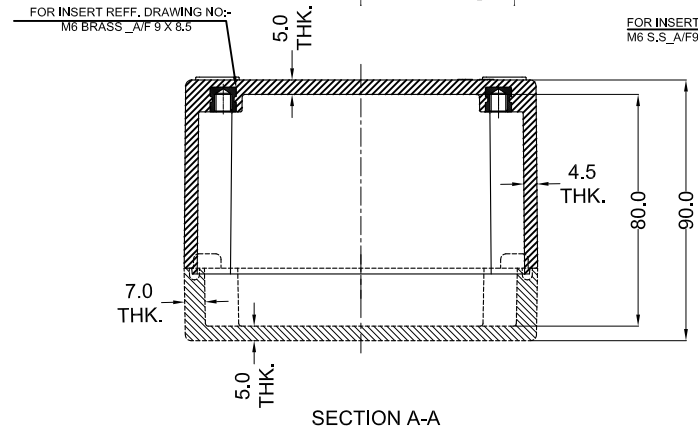
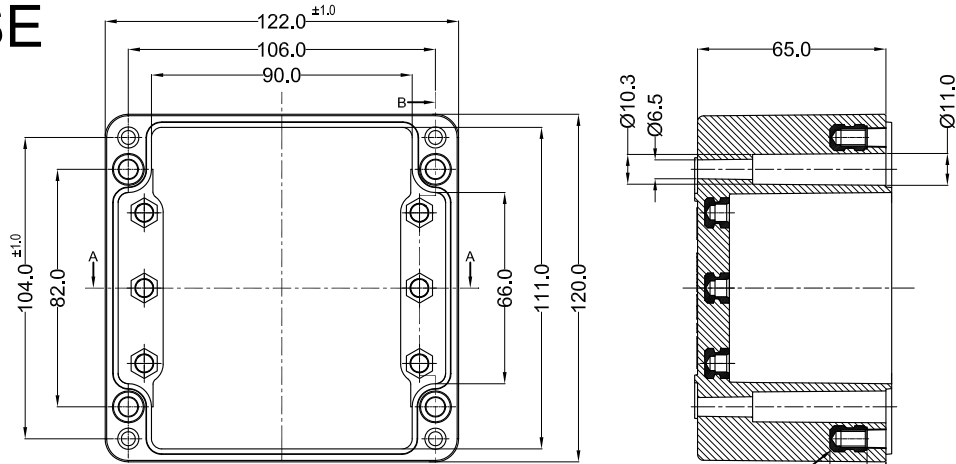


BASE



Opening Detail (Size)	Equivalent through hole dia for Gland with Earthing Plate mm	NO OF HOLES SIDE A/B	Min. Distance between the opening for Side A/B (mm)	NO OF HOLES SIDE C/D	Min. Distance between the opening for Side C/D (mm)	Opening Detail (Size) PG	Equivalent through hole dia for Gland with Earthing Plate mm	NO OF HOLES SIDE A/B	Min. Distance between the opening for Side A/B (mm)	NO OF HOLES SIDE C/D	Min. Distance between the opening for Side C/D (mm)	Opening Detail (Size) NPT	NO OF HOLES SIDE A/B	Min. Distance between the opening for Side A/B (mm)	NO OF HOLES SIDE C/D	Min. Distance between the opening for Side C/D (mm)	Min. Distance of last opening from the enclosure end on side A/B (mm)	Min. Distance of last opening from the enclosure end on side C/D (mm)
M12	12	8	8	4	8	Pg.7	12.5	6	8.5	3	8.5	1/4" NPT	8	10	4	10	24	31
M16	16	4	9	3	9	Pg.9	15.2	5	9	2	9	3/8" NPT	4	10	3	10	25	31.5
M20	20	3	8	2	8	Pg.11	18.6	3	8.5	2	8.5	1/2" NPT	3	10	2	10	24	31
M25	25	2	12	1	12	Pg.13.5	20.4	2	8.5	2	8.5	3/4" NPT	2	14	1	14	28	33
M32	32	1	16	1	16	Pg.16	22.5	2	10	1	10	1" NPT	1	18	1	18	32	35
M40	40					Pg.21	28.3	1	13	1	13	1-1/4" NPT					36	37
M50	50					Pg.29	37	1	17			1-1/2" NPT					37	37.5
M63	63					Pg.36	47					2" NPT						
						Pg.42	54											
						Pg.48	59.3											

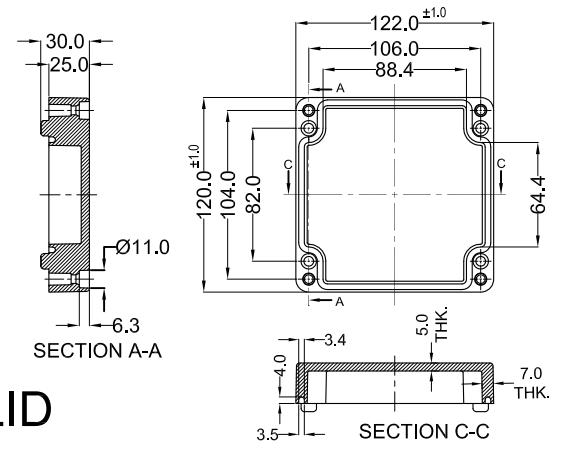
NOTE :-

- 1) MACHINING DIMENSIONS TOLERANCE - ISO 2768-m
- 2) ALL EDGES ARE BURR FREE
- 3) HOLE AND THREADED HOLES PERPENDICULAR TO THE BOX FACE



3	GASKET	-	SILICONE
2	GJB-12212091-B-02	SMC-808-30	BLACK RAL9011
1	GJB-12212091-B-01	SMC-405-23	GREY RAL7000
Sr.No.	Drawing no.	RM Grade	Finish

PROPERTY OF RaychemRPG (P) LTD.
ALL RIGHTS RESERVED AND/OR PHOTOCOPIING THIS DOCUMENT TO A PERSON WITHOUT RaychemRPG (P) LTD. WRITTEN AUTHORIZATION IS PROHIBITED

LID



GENERAL SPECIFICATION AND AREA CLASSIFICATION:

1. STANDARDS - IEC/EN 60079-0, IEC/EN 60079-7 & IEC/En 60079-31.
 2. MATERIAL - GRP - GLASS REINFORCE POLYESTER - SHEET MOLDING COMPOUND
 3. DEGREE OF PROTECTION IP66 AS PER IEC 60529 : 1989 +A1 : 2000
 4. GASKET - SILICON
 5. GLASS REINFORCE POLYESTER
 6. SERVICE TEMPERATURE RANGE : - 50 °C to +100 °C
 7. ALL DIMENSIONS ARE IN mm. UNLESS STATED OTHERWISE.
 8. STANDARD COLOUR - BLACK
 9. THE JUNCTION BOX WILL BE MARKED WITH
-  II 2 G Ex e IIC Gb
 II 2 D Ex tb IIIC Db IP 66 IP
0539 DEMKO 13 ATEX XXXXXXXX
 IECEx UL 13.XXXXX
10. TIGHTENING TORQUE - (1-2) NM
 11. EXTERNAL / INTERNAL EARTHING CONDUCTOR CROSS SECTION 4mm² To 35 mm²

NO.	REV.NO.	DESCRIPTION	DATE	DRAWN	CHECKED
QUANTITY	MATERIAL :-	MACH.NAME	DATE	SIGN	NAME
			31/03/15		RRPL DESIGN
			31/03/15		MANOJ DRAWN
			31/03/15		G.K. CHECKED
					J.B. APPROVED
TOLERANCE	WEIGHT: FINISH:	TITLE :-	SCALE	MODEL NO.	ExGRJ 03
		Ex TYPE GRP JUNCTION BOX 122 x 120 x 91			
		Raychem RPG (P) Limited			
		Ceat Mahal Annexe, Dr. Annie Besant Road, Worli, Mumbai 400030			
		Web : www.raychemrpg.com			
			REV		DRG. NO.
			0		Ex-GRJ 03-12212091-U