

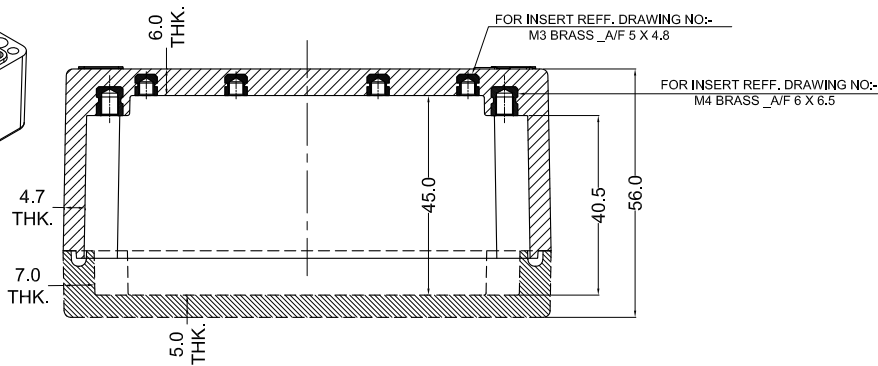
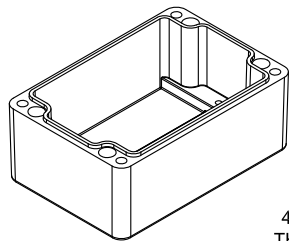
SECTION C-C

SECTION A-A

FOR INSERT REFF. DRAWING NO:-
M4 S.S. _A/F 6 X 9

FOR INSERT REFF. DRAWING NO:-
M3 BRASS _A/F 5 X 4.8

FOR INSERT REFF. DRAWING NO:-
M4 BRASS _A/F 6 X 6.5

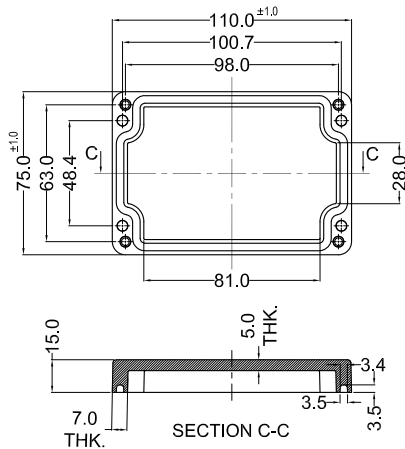


SECTION B-B

Opening Detail (Size)	Equivalent through hole dia for Gland with Earthing Plate mm	NO OF HOLES SIDE A/B	Min. Distance between the opening for Side C/D (mm)	Min. Distance between the opening for Side C/D (mm)	Opening Detail (Size) PG	Equivalent through hole dia for Gland with Earthing Plate mm	NO OF HOLES SIDE A/B	Min. Distance between the opening for Side C/D (mm)	Min. Distance between the opening for Side C/D (mm)	Opening Detail (Size) NPT	NO OF HOLES SIDE A/B	Min. Distance between the opening for Side C/D (mm)	Min. Distance between the opening for Side C/D (mm)	Min. Distance of last opening from the enclosure end on side A/B (mm)	Min. Distance of last opening from the enclosure end on side C/D (mm)			
M12	12	3	8	1	8	Pg.7	12.5	3	8.5	1	8.5	3/4" NPT	3	10	1	10	23	26
M16	16	2	9	1	9	Pg.9	15.2	2	9	1	9	3/8" NPT	2	10	1	10	24	26.5
M20	20	2	8	1	8	Pg.11	18.6	2	8.5	1	8.5	1/2" NPT	2	10	1	10	23	26
M25	25					Pg.13.5	20.4	1	8.5	1	8.5	3/4" NPT					27	28
M32	32					Pg.16	22.5					1" NPT						
M40	40					Pg.21	28.3					1-1/4" NPT						
M50	50					Pg.29	37					1-1/2" NPT						
M63	63					Pg.36	47					2" NPT						
						Pg.42	54											
						Pg.48	59.3											

- NOTE :-
- 1) MACHINING DIMENSIONS TOLERANCE - ISO 2768-m
 - 2) ALL EDGES ARE BURR FREE
 - 3) HOLE AND THREADED HOLES PERPENDICULAR TO THE BOX FACE

4	GASKET	-	SILICONE
3	GJB-1107555-L-03	SMC-808-30	BLACK RAL9011
2	GJB-1107555-L-02	SMC-808-30	BLACK RAL9011
1	GJB-1107555-L-01	SMC-405-23	GREY RAL7000



SECTION C-C

GENERAL SPECIFICATION AND AREA CLASSIFICATION:

1. STANDARDS - IEC/EN 60079-0, IEC/EN 60079-7 & IEC/En 60079-31.
2. MATERIAL - GRP - GLASS REINFORCE POLYESTER - SHEET MOLDING COMPOUND
3. DEGREE OF PROTECTION IP66 AS PER IEC 60529 : 1989 +A1 : 2000
4. GASKET MANUFACTURER - WACKER CHEMIE AG, MODEL: CENUSIL R 150 AND - CONTINUOUS OPERATING TEMPERATURE AS - 70°C TO 200°C
5. GLASS % - 30% FOR Ex HOUSING ; DENSITY - 1.7 TO 1.9 g/cm² ; IMPACT - 7J
6. SERVICE TEMPERATURE RANGE : - 50 °C to +100 °C
7. ALL DIMENSIONS ARE IN mm. UNLESS STATED OTHERWISE.
8. STANDARD COLOUR - BLACK
9. THE JUNCTION BOX WILL BE MARKED WITH

Ex II 2 G Ex e IIC Gb
II 2 D Ex tb IIC Db IP 66 IP

0539 DEMKO 13 ATEX XXXXXXXU
IECEx UL 13.XXXXX

10. TIGHTENING TORQUE - (1-2) NM
11. EXTERNAL / INTERNAL EARTHING CONDUCTOR CROSS SECTION 4mm² To 35 mm²

NO.	REV.NO.	DESCRIPTION	DATE	DRAWN	CHECKED
QUANTITY	MATERIAL :-	MACH.NAME	DATE	SIGN	NAME
			31/03/15		RRPL DESIGN
			31/03/15		MANOJ DRAWN
			31/03/15		G.K. CHECKED
			31/03/15		J.B. APPROVED
TOLERANCE	WEIGHT : FINISH :	TITLE :-	SCALE	MODEL NO.	EXGRJ 02
		Ex TYPE GRP JUNCTION BOX 110 x 75 x 55			
		Raychem RPG (P) Limited Ceat Mahal Annexe, Dr. Annie Besant Road , Worli , Mumbai 400030 Web : www.raychemrpg.com	REV	DRG. NO.	Ex-GRJ02-1107555-U
		ALL DIMENSION ARE IN MM	0		
		GRJ 02			