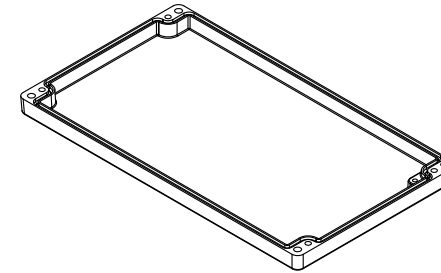
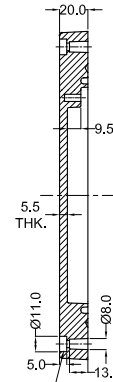
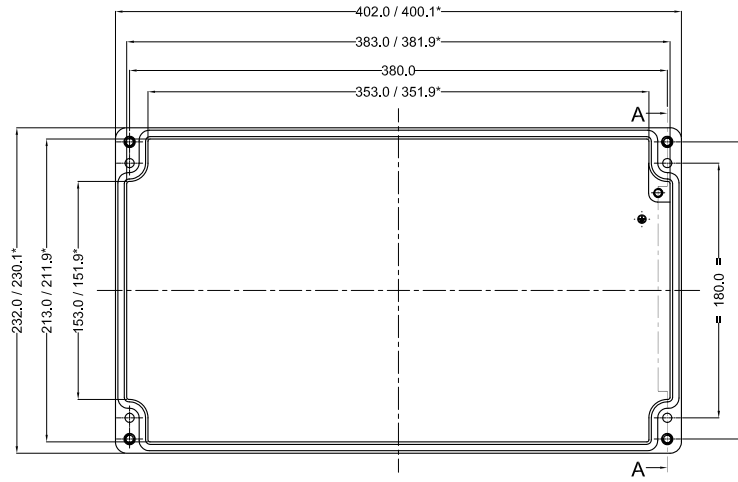


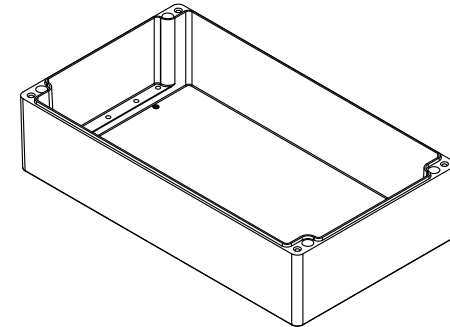
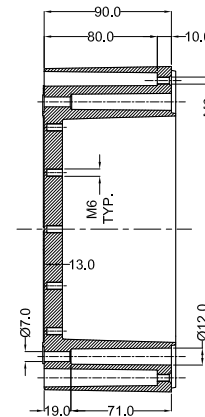
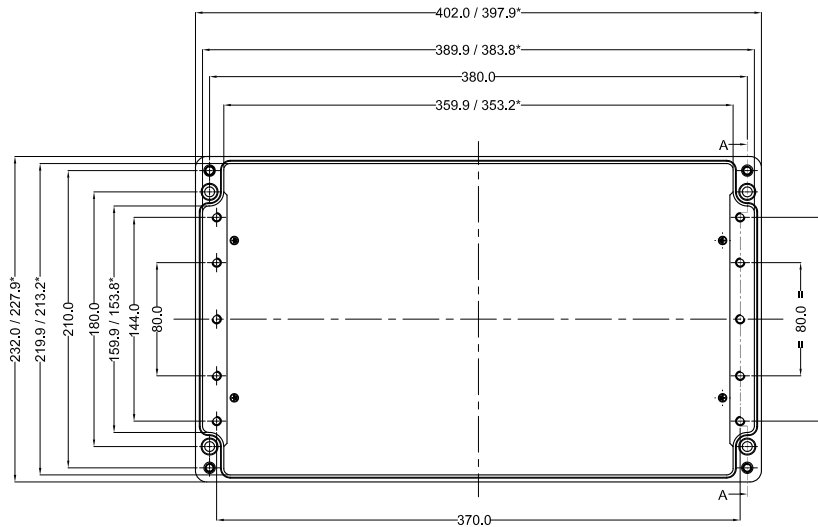
\* = Conical form tapering downward.  
 Untoleranced dimensions per GTA 13/5 DIN 1688

OPTIONAL ACCESSORIES		
PART NAME	QTY.	AVILABILITY
MOUNTING PLATE	1	Y
EXTERNAL HINGE	2	Y
INTERNAL HINGE	2	Y
MOUNTING BRACKETS	4	Y
NEOPRENE/SILICON GASKET	1	Y
DIN RAIL TS15	-	N
DIN RAIL TS35	1	Y

LID



BASE



QUANTITY	MATERIAL :-	MACH.NAME	DATE	SIGN	NAME	
-	<b>Alsi12</b> <b>Din230</b>	-				<b>RRPL DESIGN</b>
			12/09/14			<b>MANOJ DRAWN</b>
		TITLE :- JUNCTION BOX 400 x 230 x 110	12/09/14			<b>PAVAN CHECKED</b>
			12/09/14			<b>M.S. APPROVED</b>
WEIGHT: FINISH: NATURAL		<b>Raychem RPG (P) Limited</b>	SCALE	PARTNO. -		
TOLERANCE		Ceat Mahal Annexe, Dr. Annie Besant Road, Worli, Mumbai 400030 Web : www.raychemrpg.com	<b>REV</b> 0	DRG. NO. <b>AJB-400230110</b>		
±0.2	DIMENSIONS	ALL DIMENSION ARE IN MM				
±0.2	HOLES	RJ - 35				
±1.0°	ANGLES					

PROPERTY OF RaychemRPG (P) LTD.  
 ALL RIGHTS RESERVED AND/OR PHOTOCOPIYING THIS DOCUMENT  
 TO A PERSON WITHOUT RaychemRPG (P) LTD. WRITTEN AUTHORIZATION IS PROHIBITED