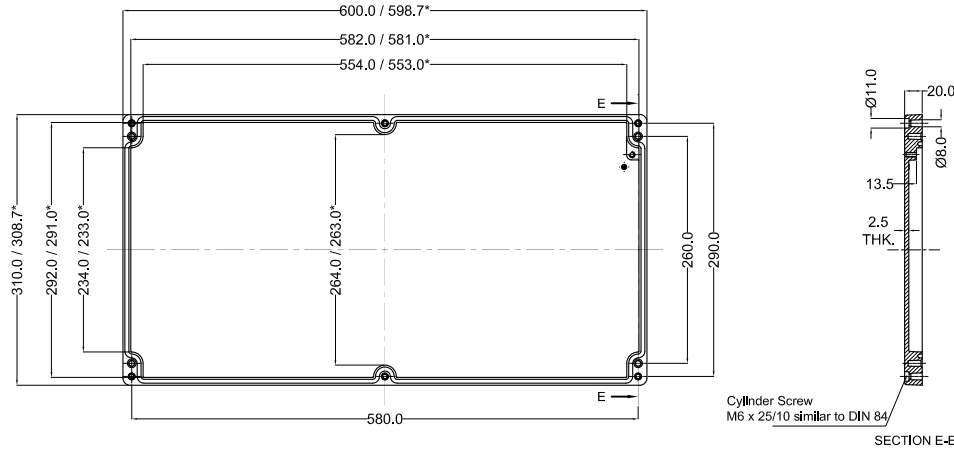
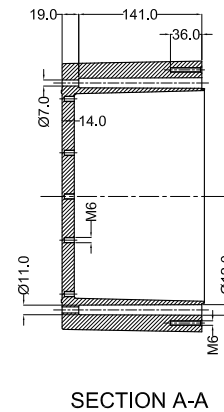
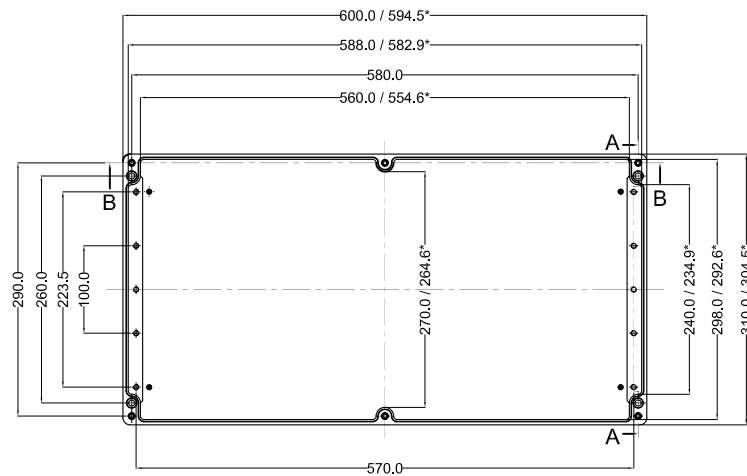
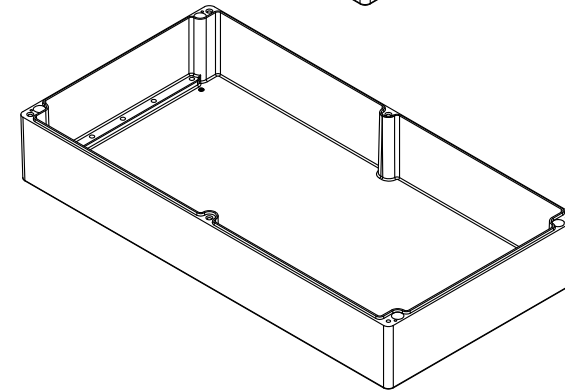
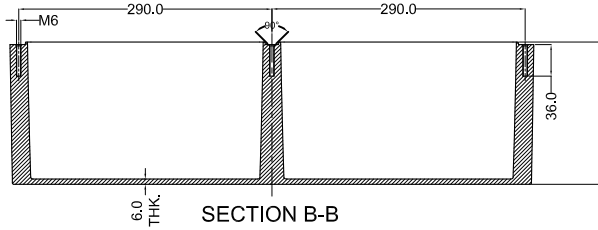
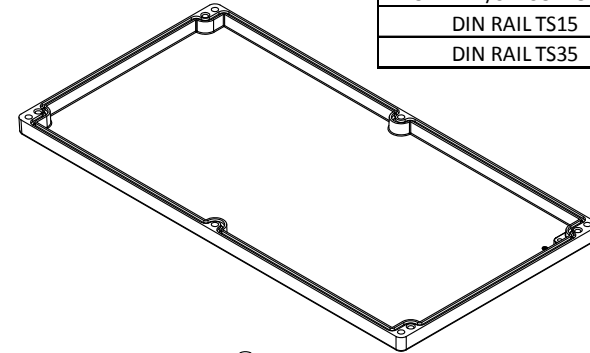


\* = Conical form tapering downward.  
 Untoleranced dimensions per GTA 13/5 DIN 1688

**LID**



OPTIONAL ACCESSORIES		
PART NAME	QTY.	AVILABILITY
MOUNTING PLATE	1	Y
EXTERNAL HINGE	2	Y
INTERNAL HINGE	2	Y
MOUNTING BRACKETS	4	Y
NEOPRENE/SILICON GASKET	1	Y
DIN RAIL TS15	-	N
DIN RAIL TS35	1	Y



**BASE**

QUANTITY	MATERIAL :-	MACH.NAME	DATE	SIGN	NAME	
-	<b>Alsi 12</b>	-	15/01/14		<b>RRPL DESIGN</b>	
	<b>Din230</b>		15/01/14		<b>MANOJ DRAWN</b>	
	WEIGHT :	FINISH :	15/01/14		<b>PAVAN CHECKED</b>	
	-	NATURAL	15/01/14		<b>S . D . APPROVED</b>	
TOLERANCE	ALL DIMENSION ARE IN MM	<b>Raychem RPG (P) Limited</b>	SCALE	PARTNO.		
±0.2	DIMENSIONS	Ceat Mahal Annexe,	REV	DRG. NO.		
±0.2	HOLES	Dr. Annie Besant Road ,		AJB-600310180		
±1.0°	ANGLES	Worli , Mumbai 400030				
		Web : www.raychemrpg.com				