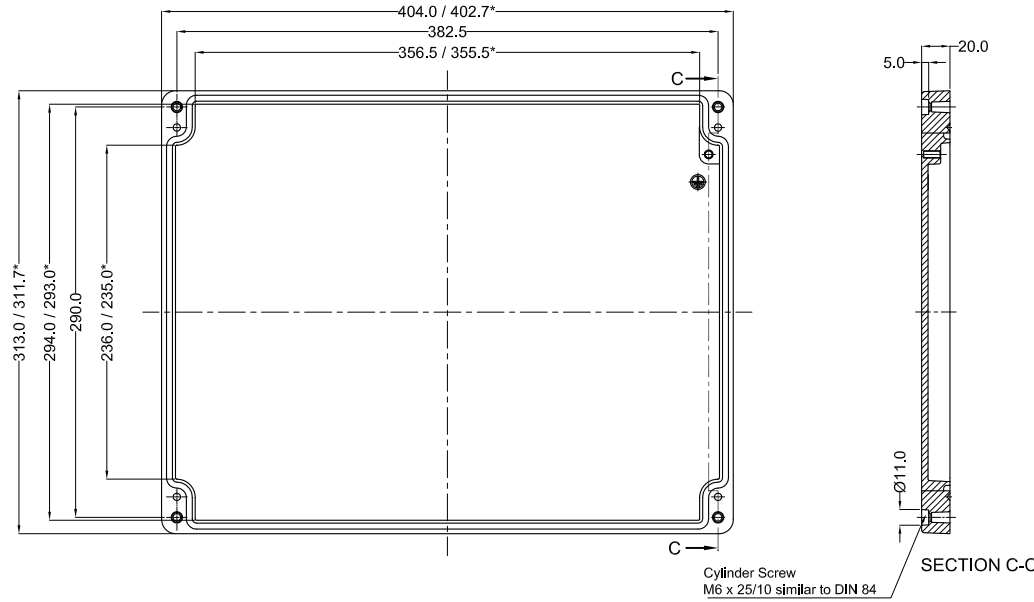
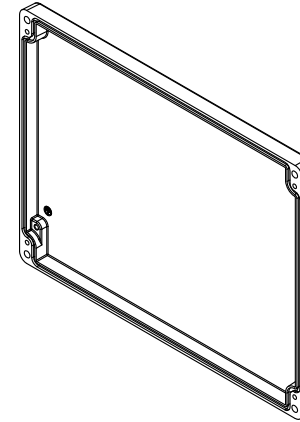
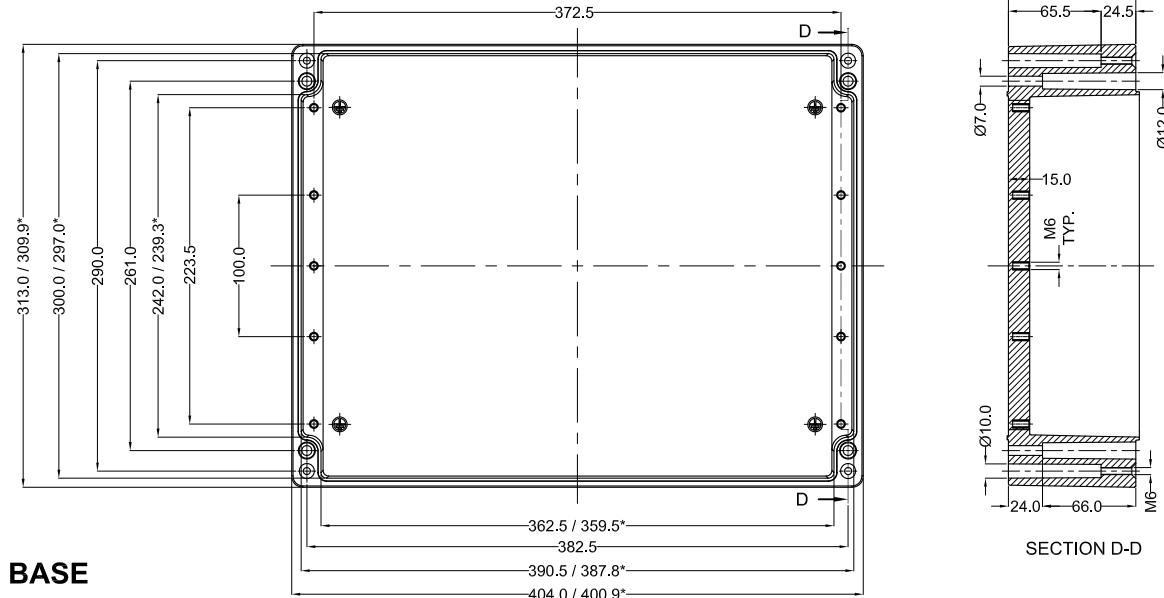


\* = Conical form tapering downward.  
 Untoleranced dimensions per GTA 13/5 DIN 1688

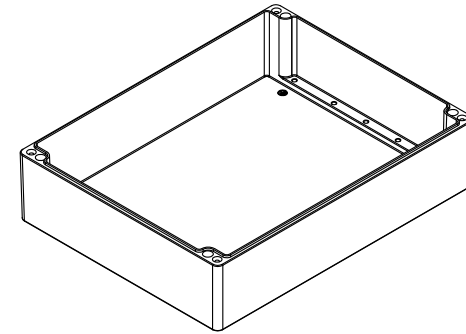
OPTIONAL ACCESSORIES		
PART NAME	QTY.	AVILABILITY
MOUNTING PLATE	1	Y
EXTERNAL HINGE	2	Y
INTERNAL HINGE	2	Y
MOUNTING BRACKETS	4	Y
NEOPRENE/SILICON GASKET	1	Y
DIN RAIL TS15	-	N
DIN RAIL TS35	1	Y



LID



BASE



QUANTITY	MATERIAL :-	MACH.NAME	DATE	SIGN	NAME	
-	<b>Alsi12</b> <b>Din230</b>	-			<b>RRPL DESIGN</b>	
			15/01/14		<b>MANOJ DRAWN</b>	
		TITLE :-	15/01/14		<b>PAVAN CHECKED</b>	
		JUNCTION BOX 400 x 310 x 110	15/01/14		<b>S . D . APPROVED</b>	
TOLERANCE	WEIGHT: FINISH:	<b>Raychem RPG (P) Limited</b>	SCALE	PARTNO.		
±0.2 DIMENSIONS	- NATURAL	Ceat Mahal Annexe, Dr. Annie Besant Road , Worli , Mumbai 400030 Web : www.raychemrpg.com	<b>REV</b>	DRG. NO.		
±0.2 HOLES	ALL DIMENSION ARE IN MM		0	<b>AJB-400310110</b>		
±1.0° ANGLES	RJ - 31					

PROPERTY OF RaychemRPG (P) LTD.  
 ALL RIGHTS RESERVED AND/OR PHOTOCOPYING THIS DOCUMENT  
 TO A PERSON WITHOUT RaychemRPG (P) LTD. WRITTEN AUTHORIZATION IS PROHIBITED