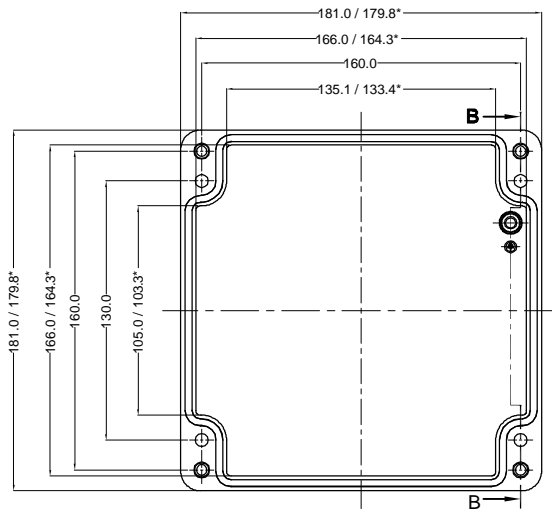
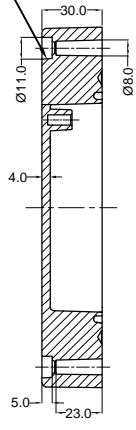


\* = Conical form tapering downward.  
 Untoleranced dimensions per GTA 13/5 DIN 1688

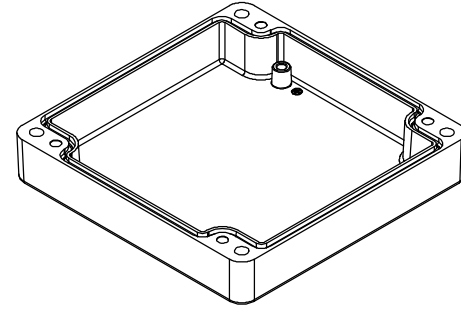
LID



Cylinder Screw  
 M6 x 35/10 similar to DIN 84

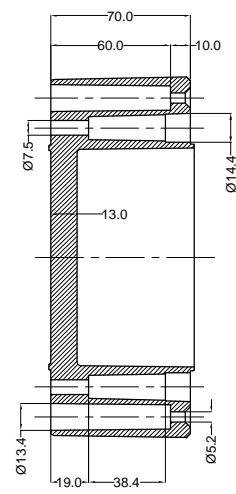
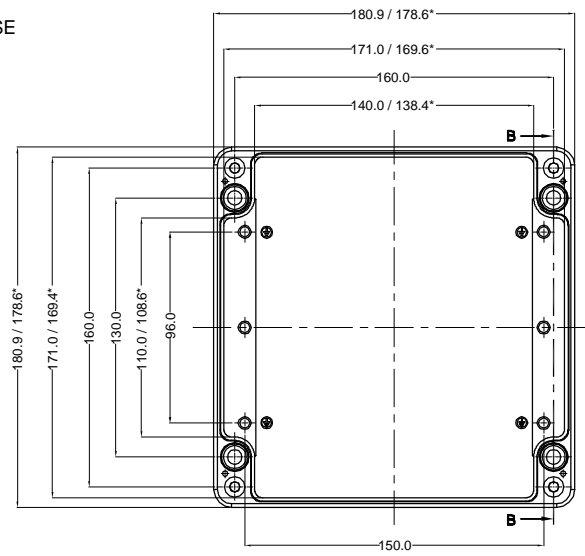


SECTION B-B

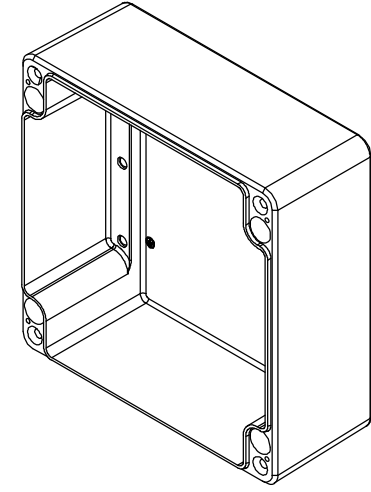


OPTIONAL ACCESSORIES		
PART NAME	QTY.	AVILABILITY
MOUNTING PLATE	1	Y
EXTERNAL HINGE	2	Y
INTERNAL HINGE	2	Y
MOUNTING BRACKETS	4	Y
NEOPRENE/SILICON GASKET	1	Y
DIN RAIL TS15	-	N
DIN RAIL TS35	1	Y

BASE



SECTION B-B



QUANTITY	MATERIAL :- <b>Alsi12</b> <b>Din230</b>	MACH.NAME	DATE	SIGN	NAME	
			30/04/12		<b>RRPL DESIGN</b>	
			30/04/12		<b>MANOJ DRAWN</b>	
					<b>PAWAN CHECKED</b>	
					<b>S . D . APPROVED</b>	
TOLERANCE	WEIGHT: FINISH: - NATURAL	TITLE :- <b>JUNCTION BOX</b> <b>180 x 180 x 100</b>	SCALE		PARTNO.	
±0.2 DIMENSIONS	ALL DIMNSION ARE IN MM	<b>Raychem RPG (P) Limited</b>	<b>REV</b>		DRG. NO.	
±0.2 HOLES		Ceat Mahal Annexe, Dr. Annie Besant Road , Worli , Mumbai 400030 Web : <a href="http://www.raychemrpg.com">www.raychemrpg.com</a>	0		<b>AJB-180180100</b>	
±1.0° ANGLES	RJ 28					

PROPERTY OF RaychemRPG (P) LTD.  
 ALL RIGHTS RESERVED AND/OR PHOTOCOPYING THIS DOCUMENT  
 TO A PERSON WITHOUT RaychemRPG (P)LTD. WRITTEN AUTHORIZATION IS PROHIBITED