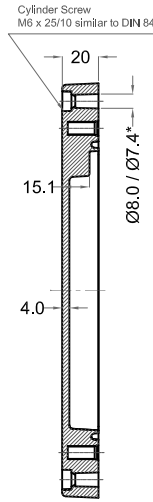
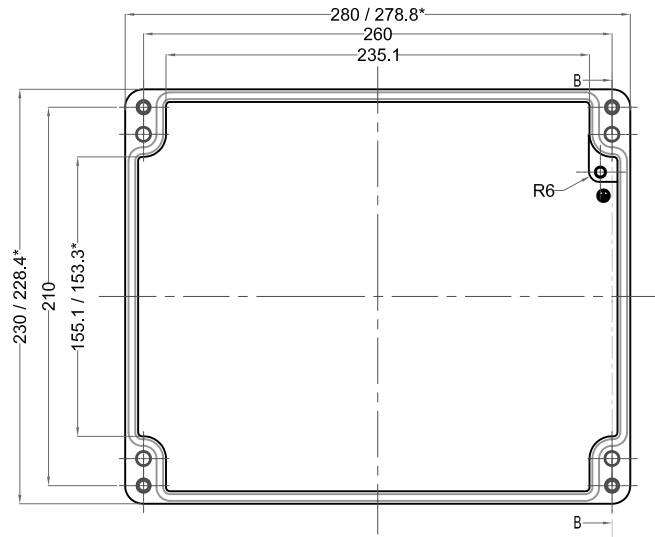


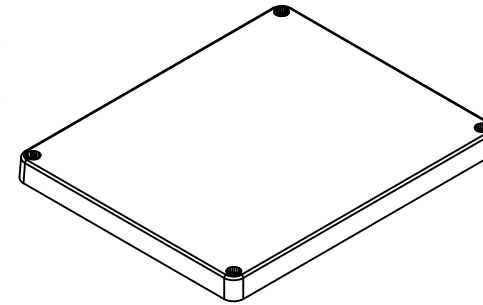
LIB



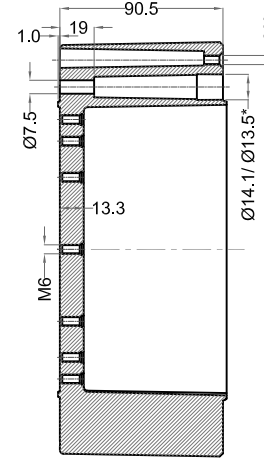
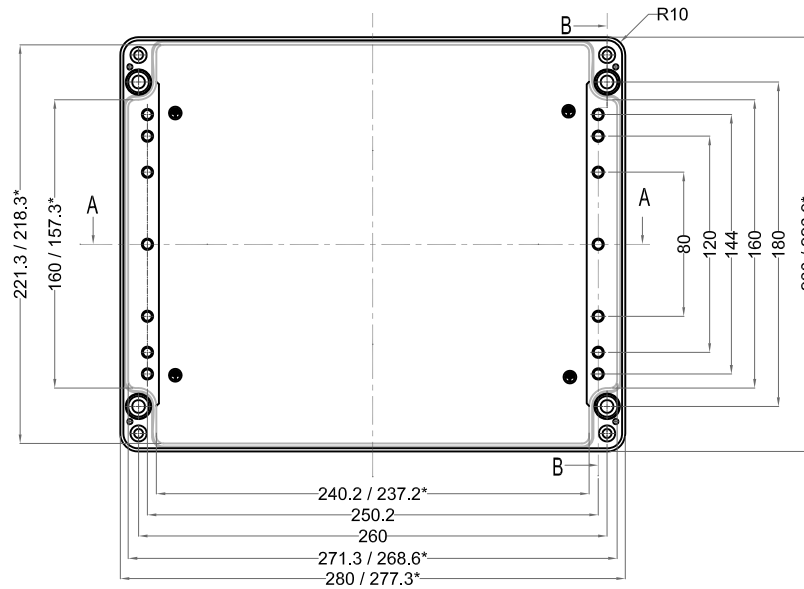
SECTION B-B

* = Conical form tapering downward.
Untoleranced dimensions per GTA 13/5 - DIN 1688

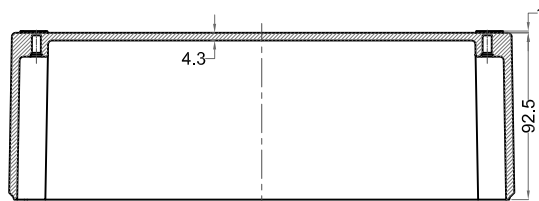
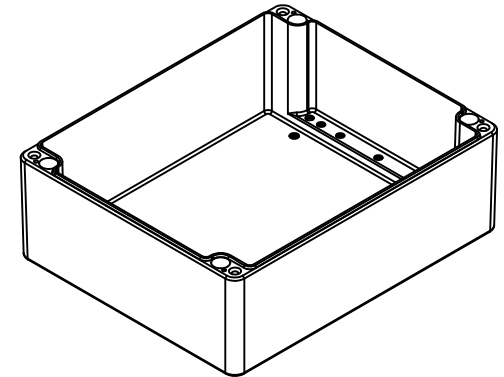
ACCESSORIES		
PART NAME	QTY.	AVILABILITY
MOUNTING PLATE	1	Y
EXTERNAL HINGE	2	Y
INTERNAL HINGE	2	Y
MOUNTING BRACKETS	4	Y
NEOPRENE/SILICON GASKET	1	Y
DIN RAIL TS15	-	N
DIN RAIL TS35	1	Y



BASE



SECTION B-B



SECTION A-A

QUANTITY 1	MATERIAL :- ALsi12 (Din230)	MACH.NAME -	DATE 12/06/12	SIGN MANOJ	NAME DRAWN
	WEIGHT: - FINISH: NATURAL	TITLE :- JUNCTION BOX 280 x 230 x 110	12/06/12	PAVAN	CHECKED
				S. D.	APPROVED
TOLERANCE ±0.2	DIMENSIONS ±0.2	Raychem RPG (P) Limited	SCALE	PARTNO.	0
HOLES ±1.0°	ANGLES	Ceat Mahal Annexe, Dr. Annie Besant Road, Worli, Mumbai 400030 Web : www.raychemrpg.com	REV 0	DRG. NO.	AJB-280230110