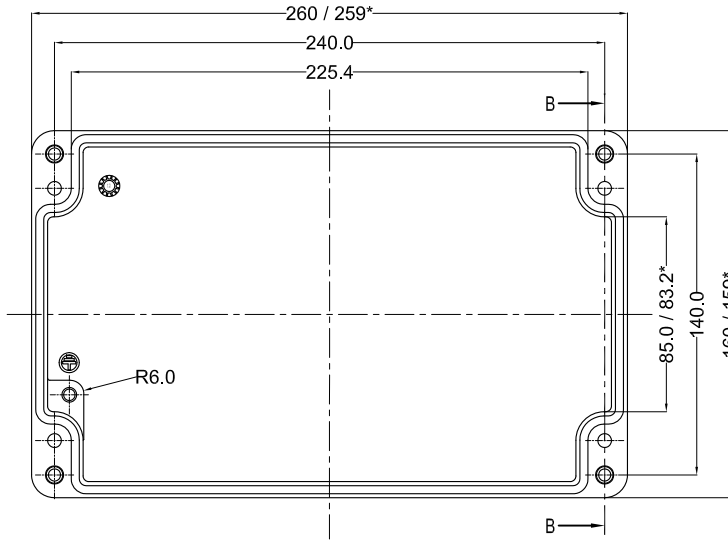
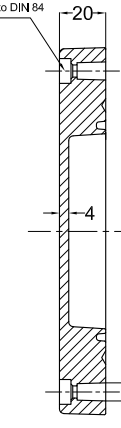


\* = Conical form tapering downward.  
 Untoleranced dimensions per GTA 13/5 DIN 1688

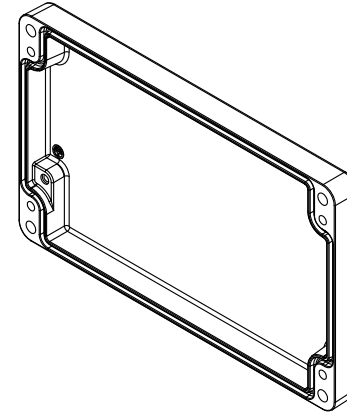
LID



Cylinder Screw  
 M6 x 25/10 similar to DIN 84

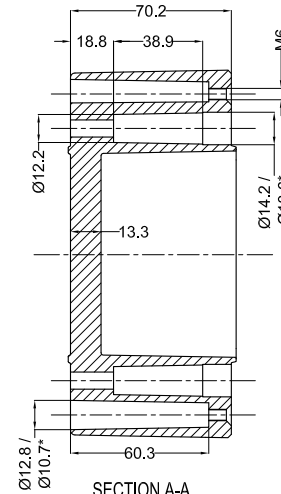
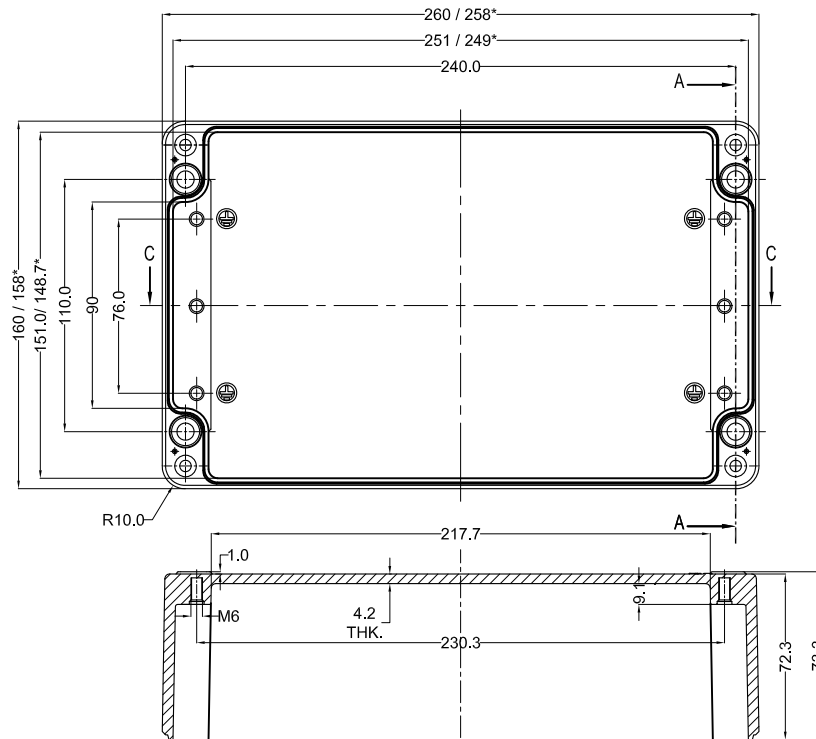


SECTION B-B

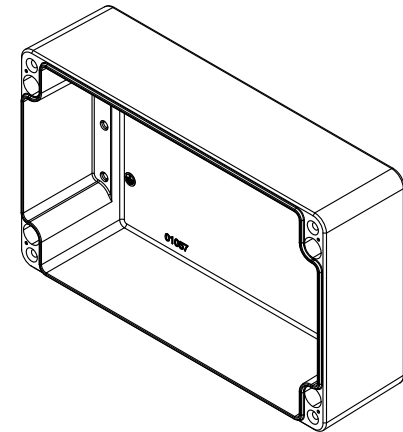


ACCESSORIES		
PART NAME	QTY.	AVAILABILITY
MOUNTING PLATE	1	Y
EXTERNAL HINGE	2	Y
INTERNAL HINGE	2	Y
MOUNTING BRACKETS	4	Y
NEOPRENE/SILICON GASKET	1	Y
DIN RAIL TS15	-	N
DIN RAIL TS35	1	Y

BASE



SECTION A-A



SECTION C-C

QUANTITY 1	MATERIAL :- <b>AISI12 DIN230</b>	MACH.NAME -	DATE 08-06-12	SIGN MANOJ	NAME DRAWN
TOLERANCE ±0.2 DIMENSIONS ±0.2 HOLES ±1.0° ANGLES		WEIGHT: -	FINISH: NATURAL	TITLE :- JUNCTION BOX 260 x 160 x 90	
ALL DIMENSION ARE IN MM		SCALE		PARTNO. 0	
RJ 13		REV 0		DRG. NO. AJB-26016090	

PROPERTY OF RaychemRPG (P) LTD.  
 ALL RIGHTS RESERVED AND/OR PHOTOCOPYING THIS DOCUMENT  
 TO A PERSON WITHOUT RaychemRPG (P)LTD. WRITTEN AUTHORIZATION IS PROHIBITED

**Raychem RPG (P) Limited**  
 Ceat Mahal Annexe,  
 Dr. Annie Besant Road ,  
 Worli , Mumbai 400030  
 Web : [www.raychemrpg.com](http://www.raychemrpg.com)