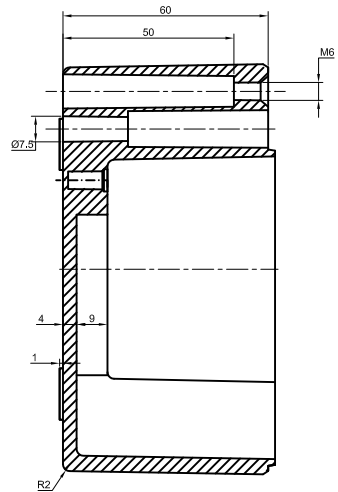
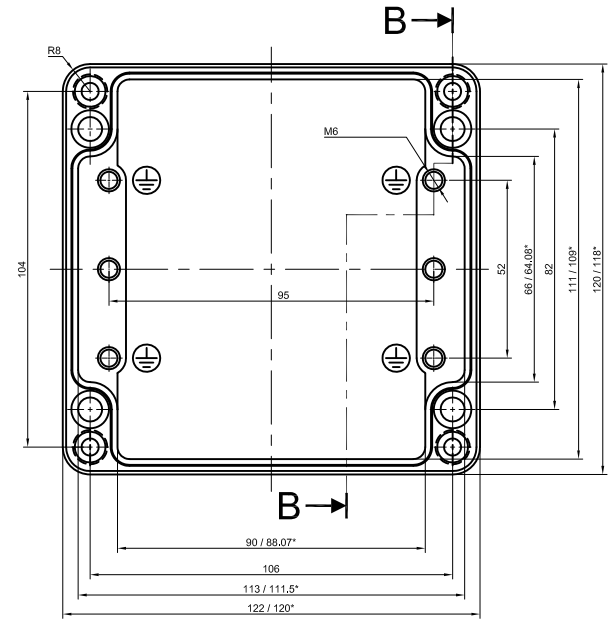
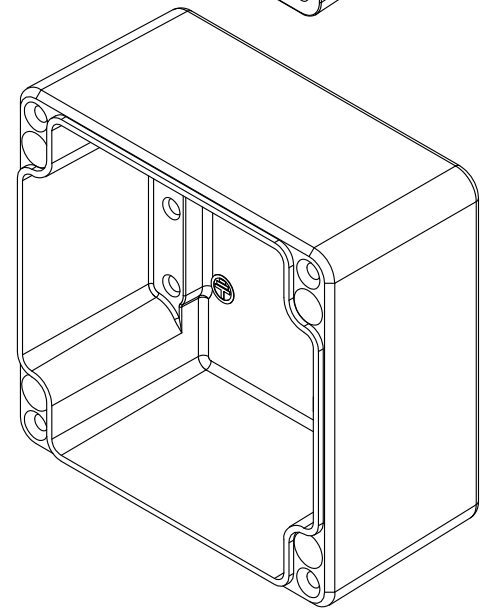
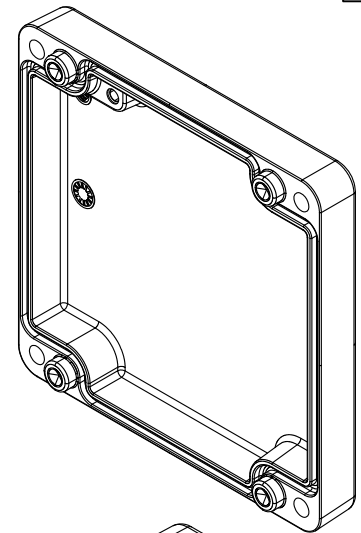


SECTION -A-A



SECTION B-B



\* = Conical form tapering downward.  
 Untoleranced dimensions per GTA 13/5 DIN 1688

ACCESSORIES		
PART NAME	QTY.	AVILABILITY
MOUNTING PLATE	1	Y
EXTERNAL HINGE	2	Y
INTERNAL HINGE	-	N
MOUNTING BRACKETS	4	Y
NEOPRENE/SILICON GASKET	1	Y
DIN RAIL TS15	-	N
DIN RAIL TS35	1	Y

PROPERTY OF RaychemRPG (P) LTD.  
 ALL RIGHTS RESERVED AND/OR PHOTOCOPYING THIS DOCUMENT  
 TO A PERSON WITHOUT RaychemRPG (P) LTD. WRITTEN AUTHORIZATION IS PROHIBITED

QUANTITY 1	MATERIAL :- <b>Alsi 12</b> <b>DIN230</b>	MACH.NAME -	DATE 30/04/12	SIGN MANOJ	NAME DRAWN
	WEIGHT: - FINISH: NATURAL	TITLE :- JUNCTION BOX 122 x 120 x 81	30/04/12	PAVAN	CHECKED
				S.D.	APPROVED
TOLERANCE ±0.2	HOLES ±0.2	<b>Raychem RPG (P) Limited</b> Ceat Mahal Annexe, Dr. Annie Besant Road, Worli, Mumbai 400030 Web: www.raychemrpg.com	SCALE	PARTNO. 0	
±1.0°	ANGLES		<b>REV</b> 0	<b>DRG. NO.</b> <b>AJB-12212081</b>	