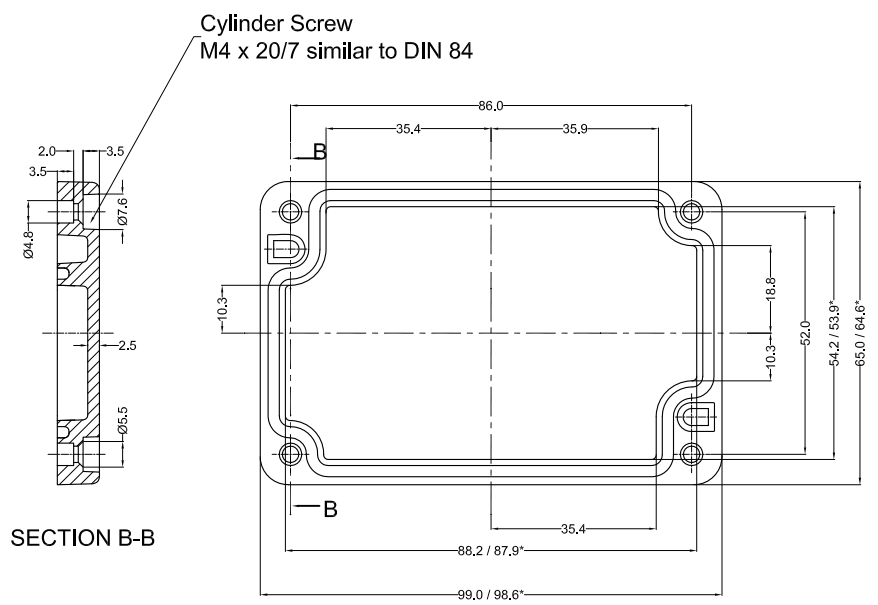


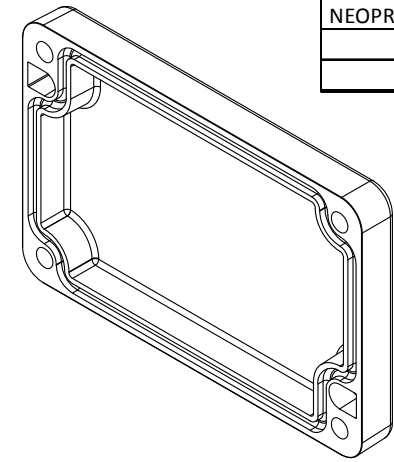
* = Conical form tapering downward.
 Untoleranced dimensions per GTA 13/5 DIN 1688

OPTIONAL ACCESSORIES		
PART NAME	QTY.	AVILABILITY
MOUNTING PLATE	-	N
EXTERNAL HINGE	-	N
INTERNAL HINGE	-	N
MOUNTING BRACKETS	-	N
NEOPRENE/SILICON GASKET	1	Y
DIN RAIL TS15	-	N
DIN RAIL TS35	-	N

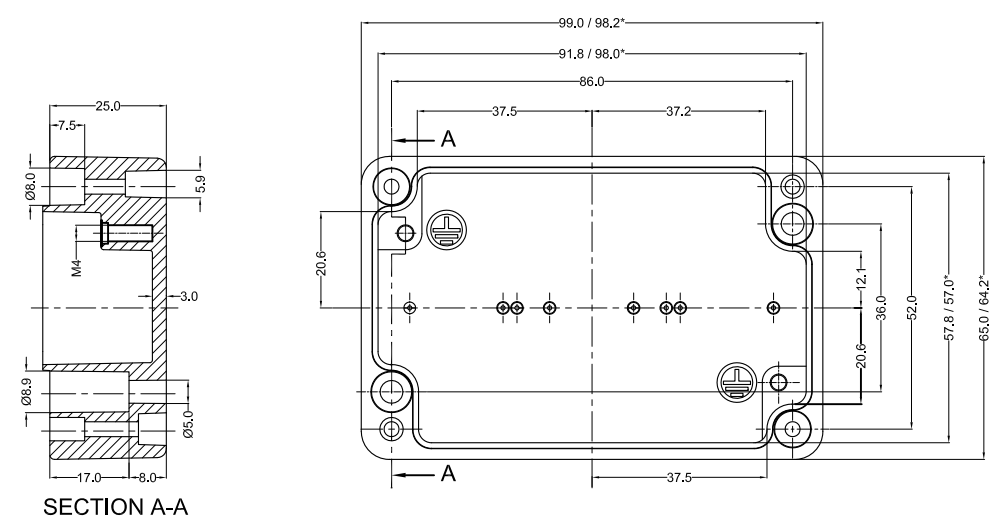
LID



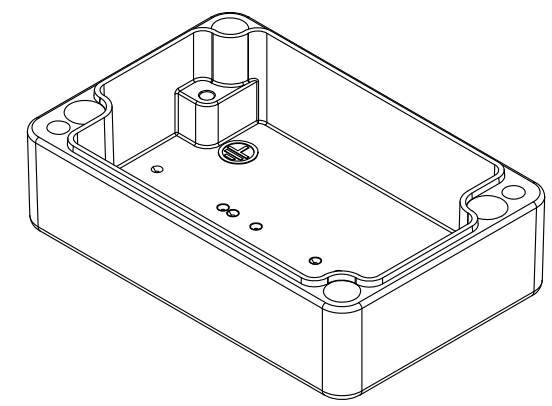
SECTION B-B



BASE



SECTION A-A



QUANTITY	MATERIAL :-	MACH.NAME	DATE	SIGN	NAME	
-	Alsi12 Din230	-			RRPL	DESIGN
			30/04/12		MANOJ	DRAWN
		TITLE :-	30/04/12		PAVAN	CHECKED
		JUNCTION BOX 98 x 64 x 34			S.D.	APPROVED
TOLERANCE	WEIGHT: FINISH:	Raychem RPG (P) Limited	SCALE	PARTNO.	0	
±0.2	DIMENSIONS	Ceat Mahal Annexe, Dr. Annie Besant Road , Worli , Mumbai 400030 Web : www.raychemrpg.com	REV	DRG. NO.		
±0.2	HOLES		0	AJB-986434		
±1.0°	ANGLES	RJ 02				

PROPERTY OF RaychemRPG (P) LTD.
 ALL RIGHTS RESERVED AND/OR PHOTOCOPYING THIS DOCUMENT
 TO A PERSON WITHOUT RaychemRPG (P) LTD. WRITTEN AUTHORIZATION IS PROHIBITED