

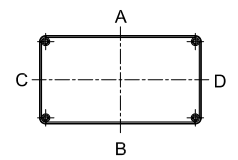
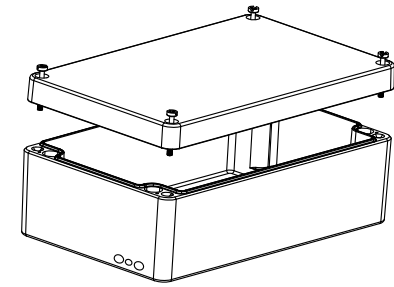


GENERAL SPECIFICATION AND AREA CLASSIFICATION:

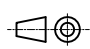
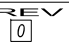
1. MATERIAL COMPOSITION - AISI 12
2. DEGREE OF PROTECTION IP66 AS PER IEC 60529 : 1989 +A1 : 2000
3. SERVICE TEMPERATURE RANGE : - 50 °C to +135 °C
4. ALL DIMENSIONS ARE IN mm. UNLESS STATED OTHERWISE.
5. SURFACE WILL PLAIN FINISH OR POWDER COATED.(RAL-7001)
6. THE JUNCTION BOX WILL BE MARKED WITH
7.  II 2 G Ex e IIC Gb
 II 2 D Ex tb IIC Db IP 66
0539
 DEMKO 13 ATEX 1327771U
 IECEX UL 13.0042U

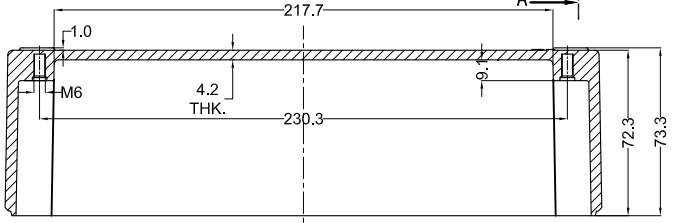
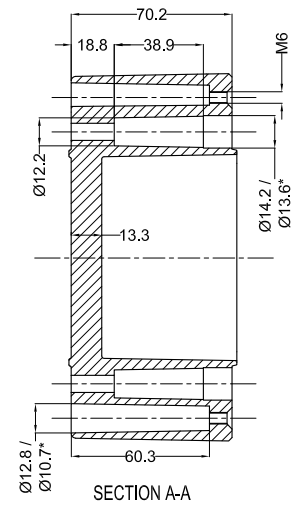
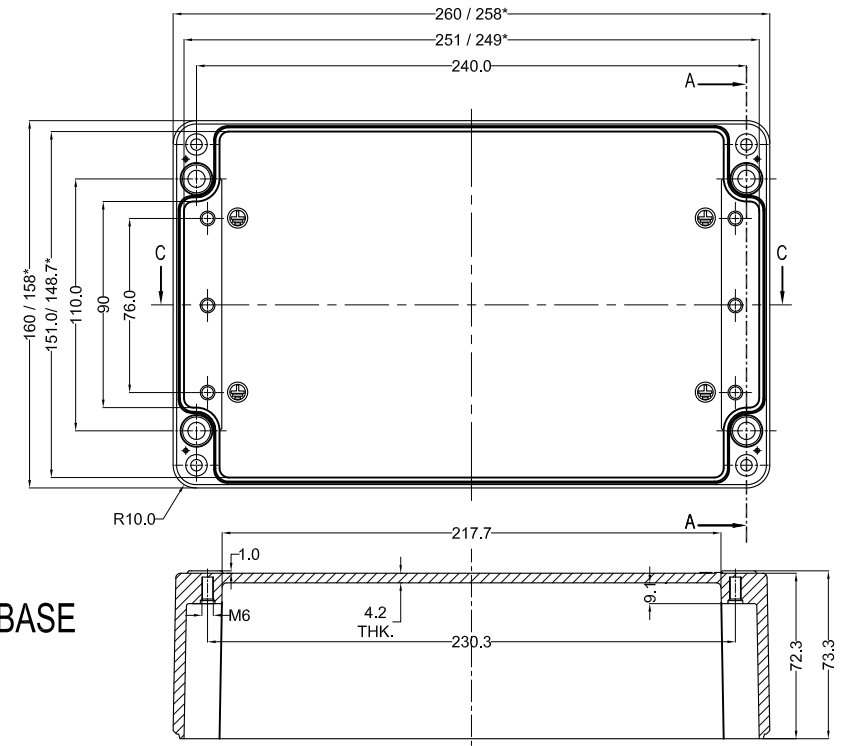
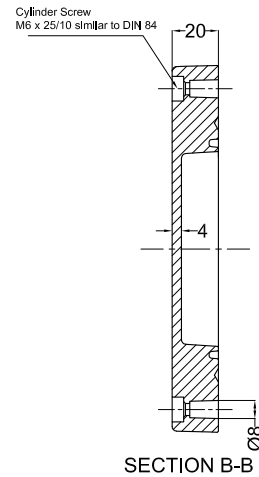
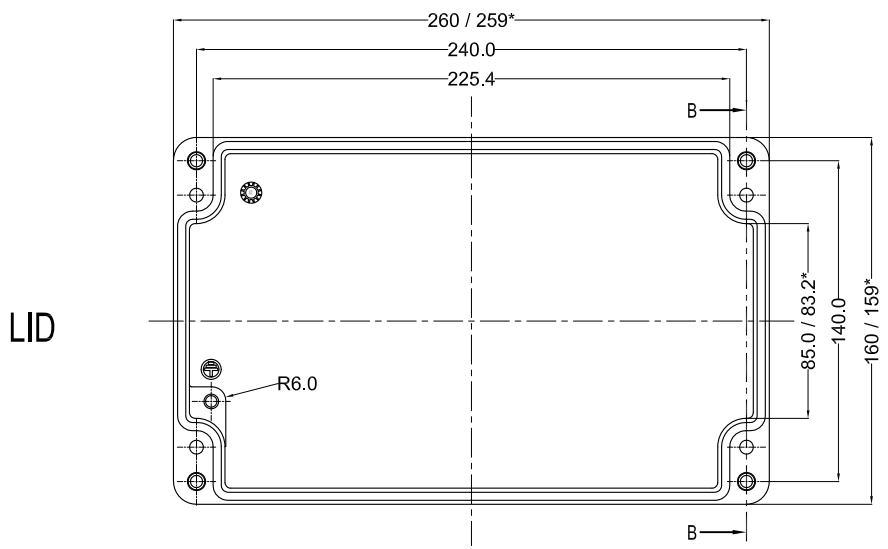
8. TRADE MARK 

 NOT TO BE REVISED WITHOUT NOTIFICATION TO THE ExCB/NOTIFIED BODY



Opening Detail (Size)	NO OF HOLES SIDE A/B	Min. Distance between the opening for Side A/B (mm)	NO OF HOLES SIDE C/D	Min. Distance between the opening for Side C/D (mm)	Opening Detail (Size) PG	NO OF HOLES SIDE A/B	Min. Distance between the opening for Side A/B (mm)	NO OF HOLES SIDE C/D	Min. Distance between the opening for Side C/D (mm)	Min. Distance of last opening from the enclosure end on side A/B (mm)	Min. Distance of last opening from the enclosure end on side C/D (mm)
M12	20	11	7	11	Pg.7	20	11	7	11	22	38
M16	20	11	7	11	Pg.9	20	11	7	11	22	38
M20	15	9	6	9	Pg.11	20	8	6	11	22	40
M25	9	14	3	14	Pg.13.5	15	8	6	9	23	36
M32	5	18	2	18	Pg.16	14	10	4	10	22	39
M40	3	40	1	-	Pg.21	9	11	2	22	30	42
M50	3	28	-	-	Pg.29	5	13	2	13	27	36
M63	-	-	-	-	Pg.36	3	33	1	-	26	42
-	-	-	-	-	Pg.42	3	25	-	-	-	-
-	-	-	-	-	Pg.48	-	-	-	-	-	-

QUANTITY 1	MATERIAL :- AISI 12 DIN230	MACH.NAME -	DATE 17/02/14	SIGN MANOJ	NAME DRAWN
	WEIGHT :-	FINISH :- NATURAL	TITLE :- JUNCTION BOX 260 x 160 x 90	17/02/14	G.K. CHECKED
	TOLERANCE ±0.2 DIMENSIONS ±0.2 HOLES ±1.0° ANGLES	ALL DIMENSION ARE IN MM RJ 13	Raychem RPG (P) Limited Ceat Mahal Annex, Dr. Annle Besant Road, Worli, Mumbai 400030 Web : www.raychemrpg.com	SCALE 	PARTNO. 0 DRG. NO. Ex-AJB-26016090



SR.NO.	PART NAME	DRAWING NO.	MATERIAL	QTY
5	SILICON GASKATE	JB-IDGSK-14	SILICON	1
4	JB EXTERNAL EARTHING SET		AISI 304	1
3	LID MOUNTING SCREW	M6 JB-SCR-LD-00	AISI 304	4
2	JB-EARTHING SCREW		MS COPPER PLATED	2
1	JUNCTION BOX Ex-260 x 160 x 90	Ex-26016090	AISI 12	1

PROPERTY OF RaychemRPG (P) LTD.
ALL RIGHTS RESERVED AND/OR PHOTOCOPIING THIS DOCUMENT
TO A PERSON WITHOUT RaychemRPG (P)LTD. WRITTEN AUTHORIZATION IS PROHIBITED

SECTION C-C