

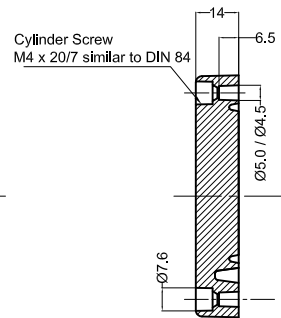
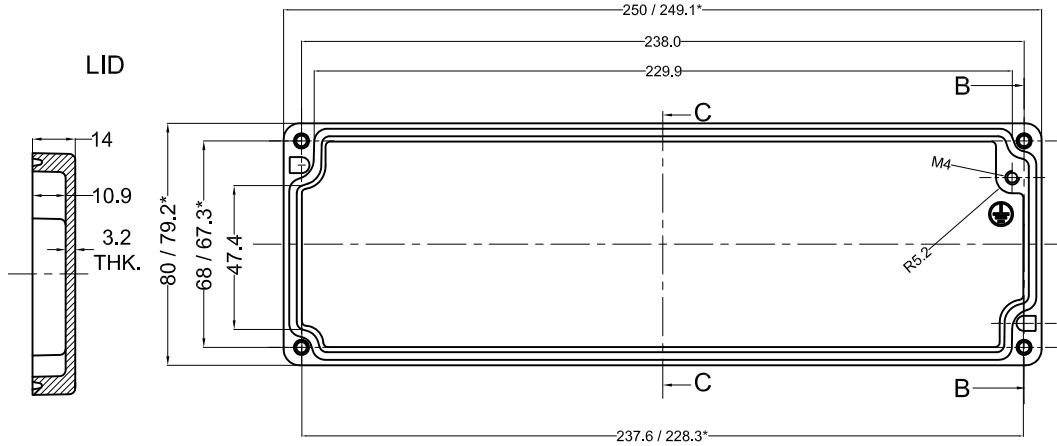
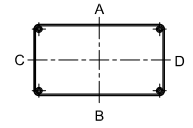
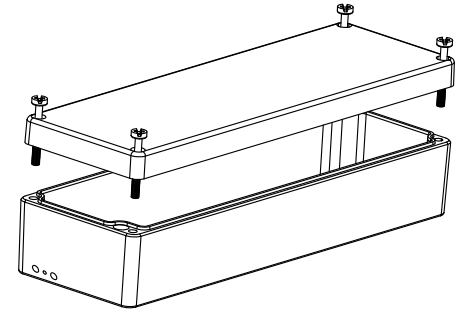


GENERAL SPECIFICATION AND AREA CLASSIFICATION:

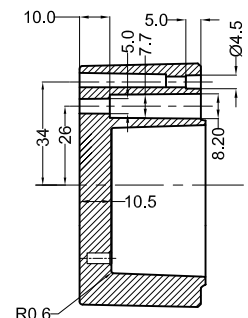
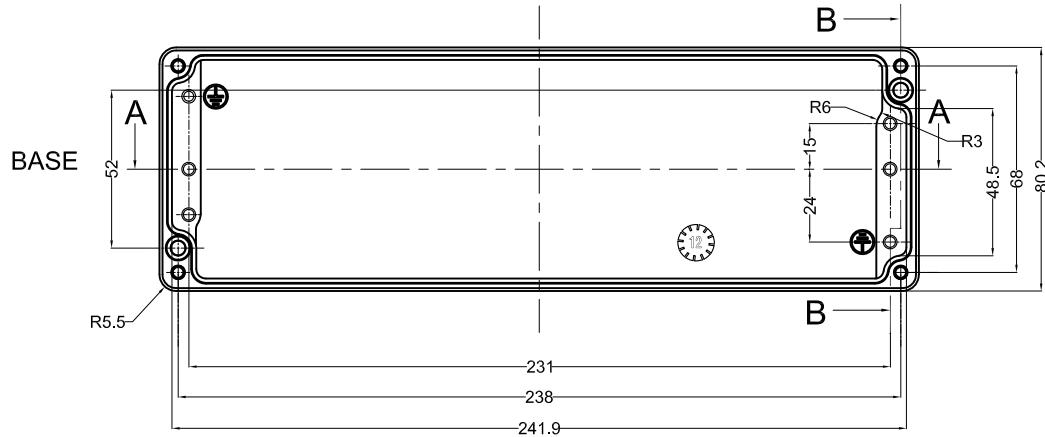
1. MATERIAL COMPOSITION - AISI 12
 2. DEGREE OF PROTECTION IP66 AS PER IEC 60529 : 1989 +A1 : 2000
 3. SERVICE TEMPERATURE RANGE : - 50 °C to +135 °C
 4. ALL DIMENSIONS ARE IN mm. UNLESS STATED OTHERWISE.
 5. SURFACE WILL PLAIN FINISH OR POWDER COATED.(RAL-7001)
 6. THE JUNCTION BOX WILL BE MARKED WITH
 7.  II 2 G Ex e IIC Gb
II 2 D Ex tb IIC Db IP 66
0539 DEMKO 13 ATEX 1327771U
IECEx UL 13.0042U
 8. TRADE MARK 
- NOT TO BE REVISED WITHOUT NOTIFICATION TO THE ExCB/NOTIFIED BODY**



SECTION B-B





SECTION C-C



SECTION B-B

Opening Detail (Size)	NO OF HOLES SIDE A/B	Min. Distance between the opening for Side A/B (mm)	NO OF HOLES SIDE C/D	Min. Distance between the opening for Side C/D (mm)	Opening Detail (Size) PG	NO OF HOLES SIDE A/B	Min. Distance between the opening for Side A/B (mm)	NO OF HOLES SIDE C/D	Min. Distance between the opening for Side C/D (mm)	Min. Distance of last opening from the enclosure end on side A/B (mm)	Min. Distance of last opening from the enclosure end on side C/D (mm)
M12	9	13	2	13	Pg.7	9	13	2	13	19	17
M16	9	11	1	-	Pg.9	9	11	1	-	16	25
M20	8	9	1	-	Pg.11	9	8	1	-	16	25
M25	5	20	-	-	Pg.13.5	8	9	1	-	22	23
M32	-	-	-	-	Pg.16	6	15	1	-	18	24
M40	-	-	-	-	Pg.21	5	15	-	-	20	-
M50	-	-	-	-	Pg.29	-	-	-	-	-	-
M63	-	-	-	-	Pg.36	-	-	-	-	-	-
-	-	-	-	-	Pg.42	-	-	-	-	-	-
-	-	-	-	-	Pg.48	-	-	-	-	-	-

SR.NO.	PART NAME	DRAWING NO.	MATERIAL	QTY
5	SILICON GASKATE	JB-02GSK-08	SILICON	1
4	JB EXTERNAL EARTHING SET	-	AISI 304	1
3	LID MOUNTING SCREW	M4 JB-SCR-LD-00	AISI 304	4
2	JB-EARTHING SCREW	-	MS COPPER PLATED	2
1	JUNCTION BOX Ex-250 x 80 x 54	Ex-2508054	AISI 12	1

QUANTITY 1	MATERIAL :- AISI 12 DIN230	MACH.NAME -	DATE 17/08/14	SIGN 	NAME RRPL DESIGN
WEIGHT: -		FINISH: NATURAL	TITLE :- JUNCTION BOX-With Boss 250 x 80 x 54		17/08/14 G. K. CHECKED
TOLERANCE ±0.2 DIMENSIONS ±0.2 HOLES ±1.0° ANGLES		ALL DIMENSION ARE IN MM R3.08	Raychem RPG (P) Limited Ceat Mahal Annex, Dr. Ankle Besant Road, Worli, Mumbai 400030 Web : www.raychemrpg.com	SCALE 	PARTNO. 0 DRG. NO. Ex-AJB-2508054-V01

PROPERTY OF RaychemRPG (P) LTD.
ALL RIGHTS RESERVED AND/OR PHOTOCOPIING THIS DRAWING
TO A PERSON WITHOUT RaychemRPG (P)LTD. WRITTEN AUTHORIZATION IS PROHIBITED