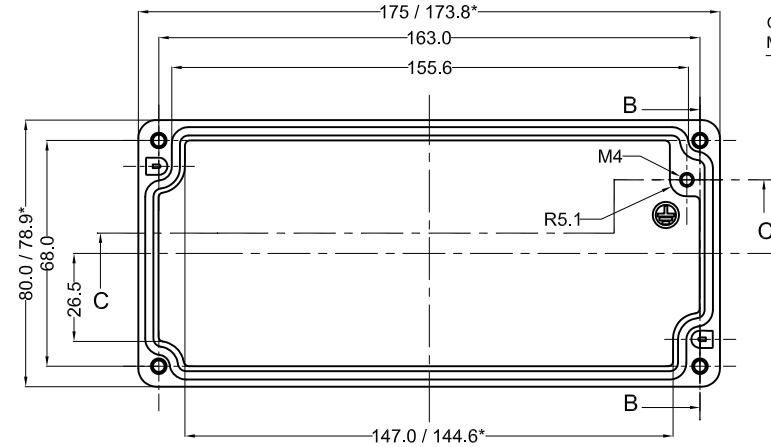
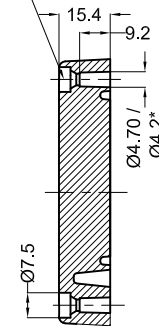


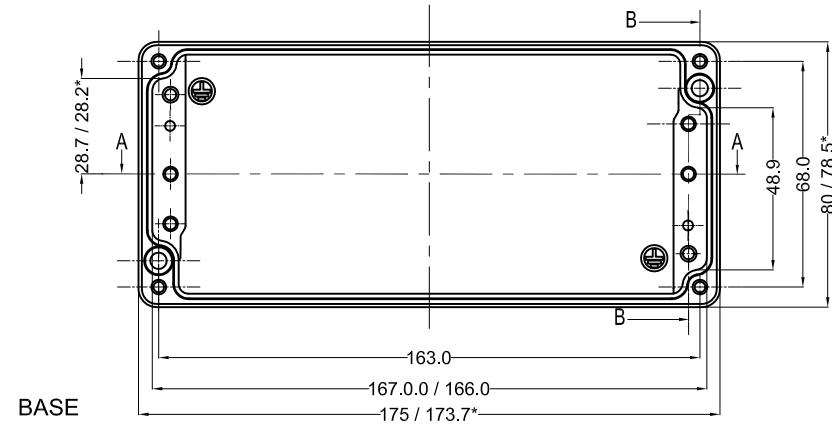
LID



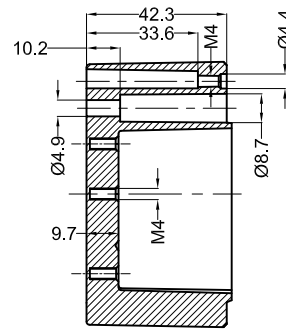
Cylinder Screw
M4 x 20/7 similar to DIN 84



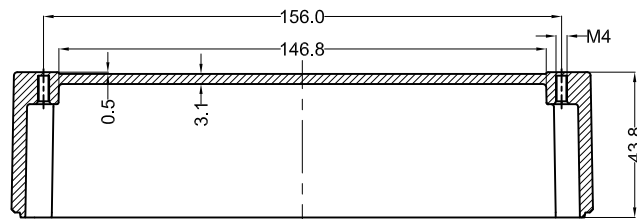
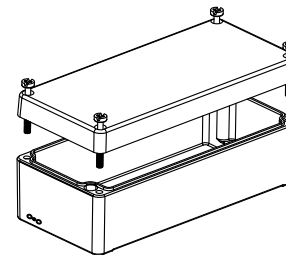
SECTION B-B



BASE



SECTION B-B



SECTION A-A

| 5 | SILICON GASKATE | JB-02GSK-07 | SILICON | 1 |
|--------|-------------------------------|-----------------|------------------|-----|
| 4 | JB EXTERNAL EARTHING SET | - | AISI 304 | 1 |
| 3 | LID MOUNTING SCREW | M6 JB-SCR-LD-00 | AISI 304 | 4 |
| 2 | JB-EARTHING SCREW | - | MS COPPER PLATED | 2 |
| 1 | JUNCTION BOX Ex-175 x 80 x 57 | Ex-1758057 | AISI 12 | 1 |
| SR.NO. | PART NAME | DRAWING NO. | MATERIAL | QTY |

B.O.M.

GENERAL SPECIFICATION AND AREA CLASSIFICATION:

1. MATERIAL COMPOSITION - AISI 12
2. DEGREE OF PROTECTION IP66 AS PER IEC 60529 : 1989 +A1 : 2000
3. SERVICE TEMPERATURE RANGE : - 50 °C to +135 °C
4. ALL DIMENSIONS ARE IN mm. UNLESS STATED OTHERWISE.
5. SURFACE WILL PLAIN FINISH OR POWDER COATED.(RAL-7001)
6. THE JUNCTION BOX WILL BE MARKED WITH

7. II 2 G Ex e IIC Gb
II 2 D Ex tb IIIC Db IP 66
0539
DEMKO 13 ATEX 1327771U
IECEx UL 13.0042U

8. TRADE MARK

NOT TO BE REVISED WITHOUT NOTIFICATION TO THE ExCB/NOTIFIED BODY

| Opening Detail (Size) | NO OF HOLES SIDE A/B | Min. Distance between the opening for Side A/B (mm) | NO OF HOLES SIDE C/D | Min. Distance between the opening for Side C/D (mm) | Opening Detail (Size) PG | NO OF HOLES SIDE A/B | Min. Distance between the opening for Side A/B (mm) | NO OF HOLES SIDE C/D | Min. Distance between the opening for Side C/D (mm) | Min. Distance of last opening from the enclosure end on side A/B (mm) | Min. Distance of last opening from the enclosure end on side C/D (mm) |
|-----------------------|----------------------|---|----------------------|---|--------------------------|----------------------|---|----------------------|---|---|---|
| M12 | 6 | 10 | 2 | 11 | Pg.7 | 6 | 10 | 2 | 11 | 14 | 22 |
| M16 | 6 | 10 | 2 | 11 | Pg.9 | 6 | 10 | 2 | 11 | 14 | 22 |
| M20 | 5 | 10 | 1 | - | Pg.11 | 6 | 8 | 2 | 8 | 16 | 25 |
| M25 | 3 | 30 | 1 | - | Pg.13.5 | 5 | 9 | 2 | 8 | 20 | 25 |
| M32 | - | - | - | - | Pg.16 | 4 | 15 | 1 | - | 19 | 25 |
| M40 | - | - | - | - | Pg.21 | 3 | 21 | - | - | 23 | - |
| M50 | - | - | - | - | Pg.29 | - | - | - | - | - | - |
| M63 | - | - | - | - | Pg.36 | - | - | - | - | - | - |
| - | - | - | - | - | Pg.42 | - | - | - | - | - | - |
| - | - | - | - | - | Pg.48 | - | - | - | - | - | - |

| | | | | | |
|-----------------|--|--|----------|----------|----------------|
| QUANTITY | MATERIAL :- AISI 12 DIN230 | MACH.NAME | DATE | SIGN | NAME |
| | | - | 17/08/14 | | RRPL DESIGN |
| | | | 17/08/14 | | MANOJ DRAWN |
| | | TITLE :- JUNCTION BOX 175 x 80 x 57 | 17/08/14 | | G.K. CHECKED |
| | | | 17/08/14 | | J.B. APPROVED |
| TOLERANCE | WEIGHT: FINISH: NATURAL | Raychem RPG (P) Limited | SCALE | PARTNO. | 0 |
| ±0.2 DIMENSIONS | ALL DIMENSION ARE IN MM | Coat Mahal Annexe, Dr. Anile Besant Road , Worli , Mumbai 400030 Web : www.raychemrpg.com | REV | DRG. NO. | Ex-AJB-1758057 |
| ±0.2 HOLES | | | 0 | | |
| ±1.0° ANGLES | | | | | |

PROPERTY OF RaychemRPG (P) LTD.
ALL RIGHTS RESERVED AND/OR PHOTOCOPYING THIS DOCUMENT
TO A PERSON WITHOUT RaychemRPG (P)LTD. WRITTEN AUTHORIZATION IS PROHIBITED