

INSTALLATION MANUAL

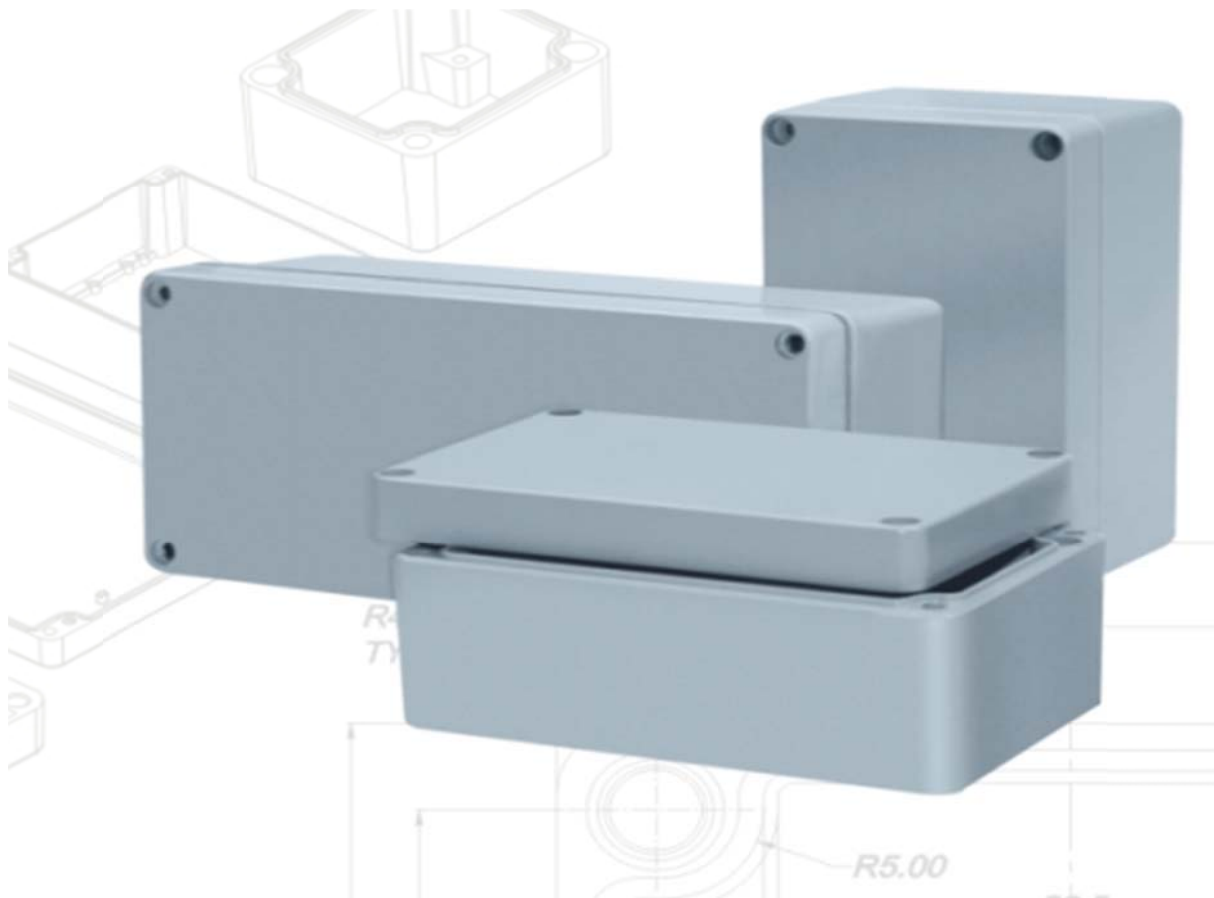
ATEX RAYCHEM RPG ALUMINIUM ENCLOUSER

MANUFACTURER

Raychem RPG Pvt. Limited

Plot No: 9 , No: 62 , Hissa No: 2&3,
Near Bharat Petroleum,
Valiv Village , Post – Sativali,
Vasai (E) – 401208
Maharashtra , India

ALUMINIUM ENCLOUSER





1.0 PRODUCT DESCRIPTION

The Ex empty enclosure may be used for fitting electrical and mechanical components. The enclosure consists of high-quality aluminium AISi 12 with low copper. Lid and base are screwed together with stainless steel captive screws .

A groove and tongue system with inserted sealing cord between the lid and base assures the high protection class IP 66, IP67 and IP 68 as per IEC 60529 : 1989+A1 : 2000 . The enclosure is mounted through the screw channels lying outside the sealing space. The enclosures conform to the relevant standards IEC/EN 60079-0 , IEC/EN 60079-7 and IEC/EN 60079-31 and were developed, produced and tested in accordance with ISO 9001:2008.

2.0 TECHNICAL DATA

MATERIAL	: ALSI 12
SURFACE	: PLAIN OR POWDER COATED
LID SCREW	: STAINLESS STEEL , CAPTIVE SCREW
TIGHTNING TORQUE	: M4  (2 to 3) NM , M6  (3 to 4) NM.
SERVICE TEMPERATURE	: - 50 °C to +150 °C
MECHANICAL STRENGTH	: ACCORDANCE WITH 60079-0 , IMPACT ENERGY 7 NM
PROTECTION CLASS	: EN 60529, IP 66 , IP 67 & IP 68.
COMPLIANCE STANDARD	: IEC/EN 60079-0 , IEC/EN 60079-7 and IEC/EN 60079-31.
PROCESS CONTROL SYSTEM	: ISO 9001:2008 , IEC 80079-34 : 2011

3.0 EXPLOSION PROTECTION



II 2 G Ex e IIC Gb

II 2 D Ex tb IIIC Db IP66 ,IP67, IP68

DEMKO 13 ATEX 1327771U

IECEX UL 13.0042U

3 SAFETY INSTRUCTIONS

The supplied Ex empty enclosures are U-certified components which serve as a basis for completely certified devices. All universally valid rules and the other binding directives relating to workplace safety, accident prevention and environmental protection must be adhered to.

Installation should only be carried out by a competent electrician, skilled in Junction Box installation.

No Installation should be carried out under live conditions.

Once Installed do not dismantle except for occasional inspection.

Raychem RPG enclosures shall only be used where temperature at the point of entry is between (- 50 °C to +150 °C)

4 INSTALLATIONS

The Ex empty enclosures are suitable for accommodating components certified for the Ex areas, such as terminals, switches, cable glands, measuring instruments, control equipment and display units etc. When processing the enclosures, attention must be paid to ensuring that there is suitable minimum spacing between individual boreholes and from the sealing edge of the enclosure so that the enclosure with the fittings will be able to withstand an impact test.

The minimum spacing depends on the geometrical dimensions of the built-in components; a longer lever will require an increase in the minimum spacing and accordingly must be determined specifically.

In the case of enclosures that have to be set up outside, it may be necessary to take measures to ensure that operation is in accordance with the intended use. This would include, for example, roofs as protection against rain or outer housings with an adequate protection class. These Enclosures should not be used in any application other than those mention here or in our data sheets, unless Raychem RPG states in writing that the product is suitable for such application. Raychem RPG can take no responsibility for any damage, injury or other consequential loss caused where the Aluminium Enclosures are not installed or used according to the instructions.

5.0 COMMISSIONING

Each electric apparatus for a potentially explosive area must be selected in accordance with the conditions set down for the individual type of installation. The apparatus may only be used if it is undamaged and clean. Electric plants must be examined by a qualified specialist before first commissioning and regularly at specific intervals.

5.0 OPERATING, MAINTENANCE AND FAILURE RECTIFICATION

The operator of an electric plant in a potentially explosive environment must keep the operating equipment in an orderly condition, operate it correctly, monitor it and do the required maintenance and repairs (EN 60079-14).

Maintenance and failure rectification work may only be carried out by qualified electricians. If the type of protection is affected, only original parts should be used for replacement (e.g. lid sealing). Conformity with all applicable laws and guidelines must be ensured prior to re-commissioning. All applicable safety instructions must be observed prior to the implementation of any maintenance and/or failure rectification works.

6.0 ACCESSORIES, SPARE PARTS

For accessories and spare parts, see Raychem RPG catalogue.